

PARTS LIST

[HX-GX7]

* All printed circuit boards and its assemblies are not available as service parts.

Area suffix

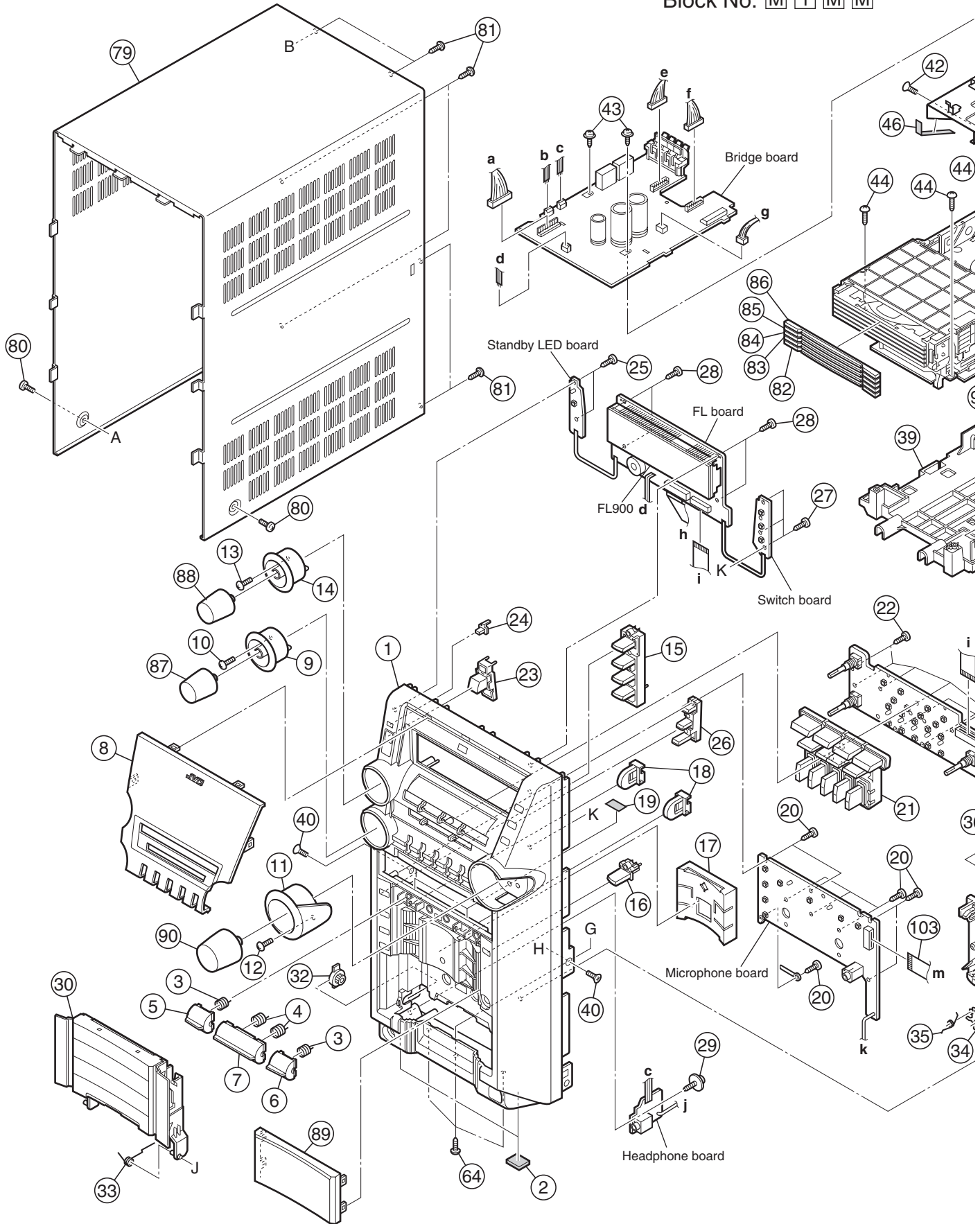
J ----- U.S.A.
C ----- Canada

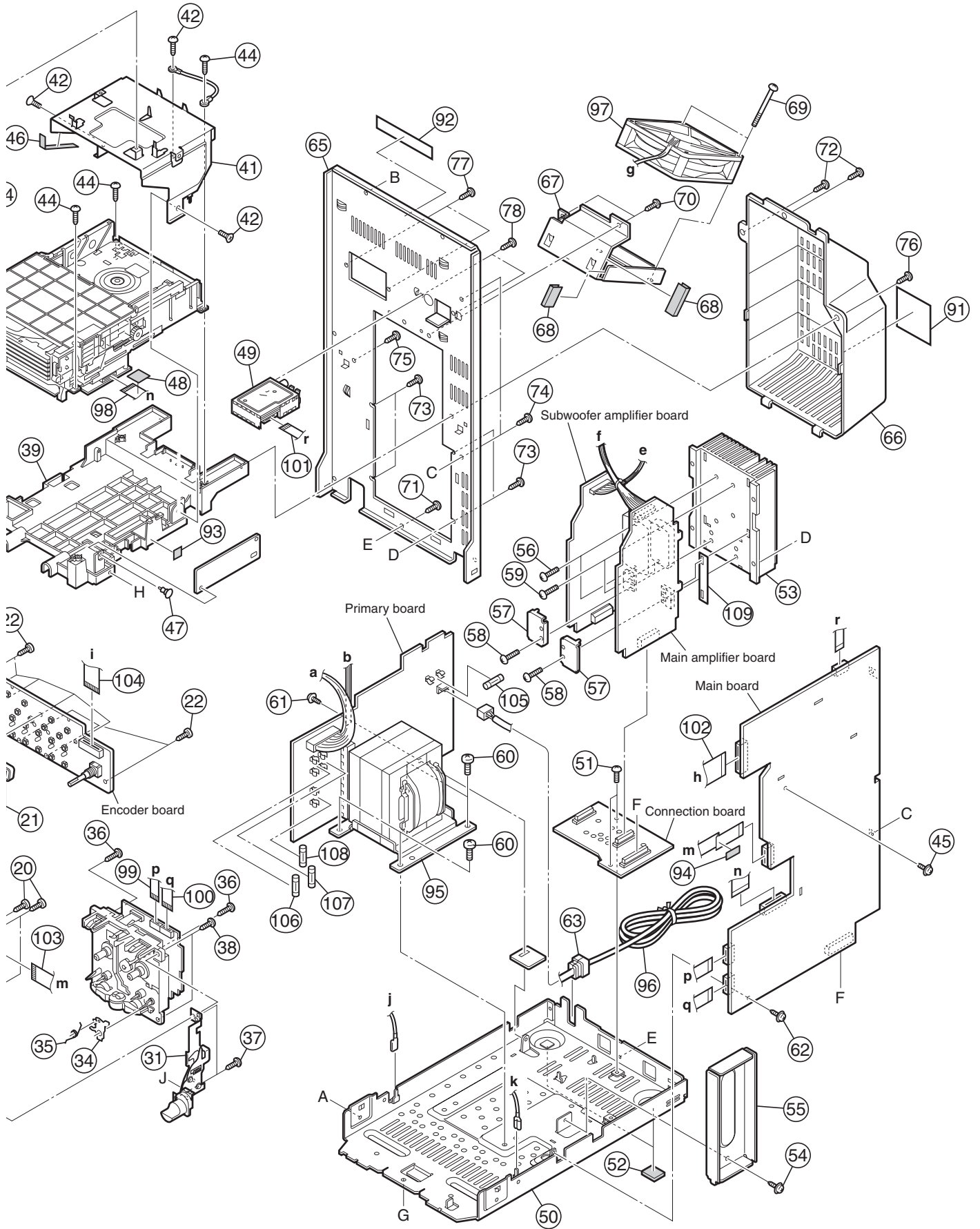
- Contents -

Exploded view of general assembly and parts list (Block No.M1)	3- 2
Speaker assembly and parts list (Block No.M2)	3- 5
CD changer mechanism assembly and parts list (Block No.MA)	3- 6
CD mechanism assembly and parts list (Block No.MB)	3- 8
Cassette mechanism assembly and parts list (Block No.MP)	3- 9
Electrical parts list (Block No.01~07)	3-11
Packing materials and accessories parts list (Block No.M3).....	3-20

Exploded view of general assembly and parts list

Block No. **M 1 M M**





General assembly

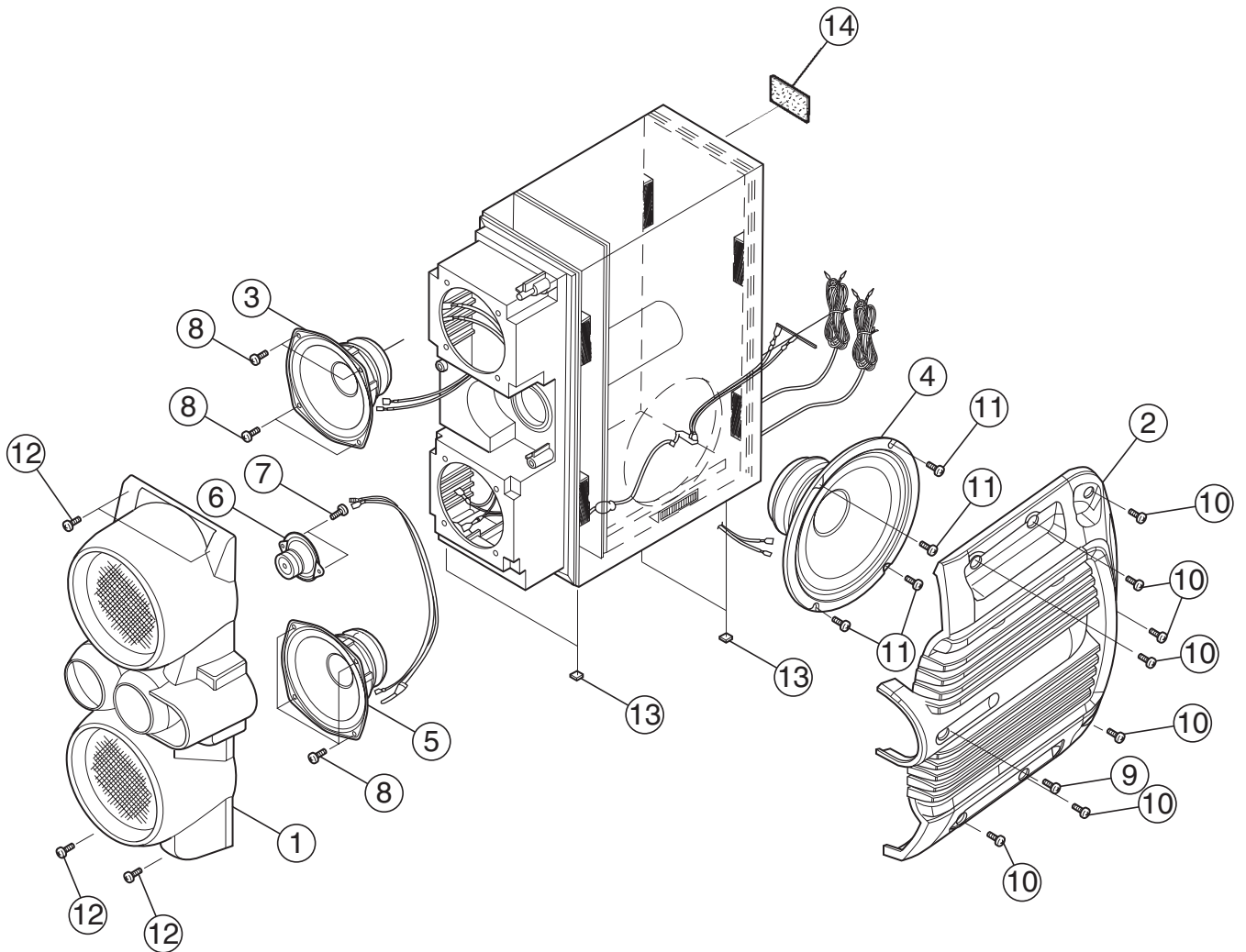
Block No. [M][1][M][M]

△ Symbol No.	Part No.	Part Name	Description	Local
1	GV10177-001A	FRONT PANEL		
2	GV40313-001A	FELT SPACER	(x2)	
3	GV40464-001A	ARM SPRING	(x2)	
4	GV40492-001A	COMP.SPRING	(x2)	
5	GV40483-001A	BUTTON ASSY.(L)		
6	GV40484-001A	BUTTON ASSY.(R)		
7	GV40482-001A	SOUND BUTT.ASSY		
8	GV20260-001A	WINDOW SCREEN		
9	GV30532-001A	PRESET ORNAMENT		
10	QYSDSF2608Z	SCREW	2.6mm x 8mm	
11	GV30534-001A	VOLUME ORNAMENT		
12	QYSDSF2608Z	SCREW	2.6mm x 8mm	
13	QYSDSF2608Z	SCREW	2.6mm x 8mm	
14	GV30571-001A	SOUND MODE ORNA		
15	GV30542-001A	FUNCTION BUTTON		
16	GV30541-001A	BUTTON		
17	GV40461-001A	FUNCTION INDICA		
18	GV40462-001A	DISPLAY LENS	(x2)	
19	LV30225-011A	SPACER	(x2)	
20	QYSDSF2608Z	SCREW	2.6mm x 8mm(x8)	
21	GV30570-001A	CONTROL BUTT.A		
22	QYSDSF2608Z	SCREW	2.6mm x 8mm(x8)	
23	GV30528-003A	POWER BUTTON		
24	GV40459-001A	STANDBY INDICAT		
25	QYSDSF2608Z	SCREW	2.6mm x 8mm(x2)	
26	GV30529-002A	DISPLAY BUTTON		
27	QYSDSF2608Z	SCREW	2.6mm x 8mm(x3)	
28	QYSDSF2608Z	SCREW	2.6mm x 8mm(x4)	
29	E65923-003	TAPPING SCREW		
30	GV30588-001A	CASS.HOLD.ASSY.		
31	GV30572-001A	CASS.EJECT SYS.		
32	GV40034-001A	DAMPER ASSY.		
33	GV40398-001A	SPRING		
34	VKL7850-002	EJECT SAFTY(R)		
35	VKW5258-003	TORSION SPRING		
36	QYSBSF3012Z	TAP SCREW	3.0mm x 12mm(x2)	
37	QYSBSF3008Z	SCREW	3mm x 8mm(x2)	
38	QYSBSG3010Z	TAPPING SCREW	3mm x 10mm(x2)	
39	GV10179-001A	PLASTICS CHASS		
40	QYSSSF3010Z	TAP SCREW	M3 x 10mm(x2)	
41	GV10182-001A	MAIN CHASSIS		
42	QYSSSF3010Z	TAP SCREW	M3 x 10mm(x3)	
43	QYSBSGG3008E	TAPPING SCREW	3mm x 8mm(x2)	
44	QYSBSF3008Z	SCREW	3mm x 8mm(x4)	
45	QYSBSGG3008E	TAPPING SCREW	3mm x 8mm	
46	LV30225-079A	SPACER		
47	E310243-002	PLASTIC RIVET		
48	LV30225-011A	SPACER		
49	QAU0346-001	TUNER		
50	GV10181-001A	CHASSIS BASE		
51	QYSBSG3006Z	TAPPING SCREW	3mm x 6mm(x2)	
52	GV40313-002A	FELT SPACER	(x2)	
53	GV30547-002A	HEAT SINK		
54	QYSBSGG3008Z	TAP SCREW	3mm x 8mm	
55	GV30545-001A	SUPPORT BRAC.		
56	QYSBSG3020E	TAP SCREW	3mm x 20mm(x2)	
57	GV40297-003A	LEAF SPRING	(x2)	
58	QYSBSG3014E	TAP SCREW	3mm x 14mm(x2)	
59	QYSBSG3020E	TAP SCREW	3mm x 20mm(x2)	
60	QYSDSTL4008Z	ASSY SCREW	4mm x 8mm(x4)	
61	QYSBSGG3008Z	TAP SCREW	3mm x 8mm	
62	QYSBSGG3008E	TAPPING SCREW	3mm x 8mm	
△ 63	QZW0033-001	STRAIN RELIEF		
64	QYSBSGY3008E	SPECIAL SCREW	3mm x 8mm(x3)	
65	GV10183-001A	REAR PANEL		
66	GV10199-002A	REAR COVER		
67	GV30544-001A	FAN BRACKET		
68	LV30225-011A	SPACER	(x2)	
69	QYSBSG3030Z	TAP SCREW	M3 x 30mm(x2)	
70	QYSBSGY3008E	SPECIAL SCREW	3mm x 8mm(x2)	
71	QYSBSGY3008E	SPECIAL SCREW	3mm x 8mm	
72	QYSBSGY3008E	SPECIAL SCREW	3mm x 8mm(x2)	
73	QYSBSGY3008E	SPECIAL SCREW	3mm x 8mm(x4)	
74	QYSBSGY3008E	SPECIAL SCREW	3mm x 8mm(x2)	

△ Symbol No.	Part No.	Part Name	Description	Local
75	QYSBSGY3008E	SPECIAL SCREW	3mm x 8mm	
76	QYSBSF3012E	SPECIAL SCREW	3mm x 12mm	
77	QYSBSGY3008E	SPECIAL SCREW	3mm x 8mm(x2)	
78	QYSBSGY3008E	SPECIAL SCREW	3mm x 8mm(x2)	
79	GV10110-003A/S/	METAL COVER		
80	QYSDSG3006M	TAP SCREW	3mm x 6mm(x2)	
81	QYSBSGY3008E	SPECIAL SCREW	3mm x 8mm(x6)	
82	GV20261-001A	CD FITTING (1)		
83	GV20261-002A	CD FITTING (2)		
84	GV20261-003A	CD FITTING (3)		
85	GV20261-004A	CD FITTING (4)		
86	GV20261-005A	CD FITTING (5)		
87	GV30531-001A	PRESET KNOB		
88	GV30604-001A	SND.MODE KNOB		
89	GV30540-001A	FRONT LENS		
90	GV30533-001A	VOLUME KNOB		
91	GV30589-001A	RATING LABEL		
92	LV42035-002A	LASER CAUTION		
93	VYSH101-009	SPACER		
94	LV30225-011A	SPACER		
△ 95	QQT0423-001	POWER TRANSF	T 001	
△ 96	QMPD380-200-JN	POWER CORD	2m BLACK	
97	QAR0317-001	FAN		
98	QUQH10-1718BJ	CARD WIRE		
99	QUQH12-0922BJ	CARD WIRE		
100	QUQH12-1016BJ	CARD WIRE		
101	QUQH12-1109AJ	CARD WIRE	FC 1	
102	QUQH12-2315BJ	CARD WIRE		
103	QUQH12-1520BJ	CARD WIRE		
104	QUQH12-1811BJ	CARD WIRE		
△ 105	QMF51U1-6R3-J8	FUSE	F 001 6.3A AC125V	
△ 106	QMF51U1-8R0-J8	FUSE	F 101 8A AC125V	
△ 107	QMF51U1-8R0-J8	FUSE	F 102 8A AC125V	
△ 108	QMF51U1-3R15-J8	FUSE	F 103 3.15A AC125V	
109	GV40522-001A	LUMIRROR SHEET		

Speaker assembly and parts list

Block No. M 2 M M



Speaker

Block No. M2MM

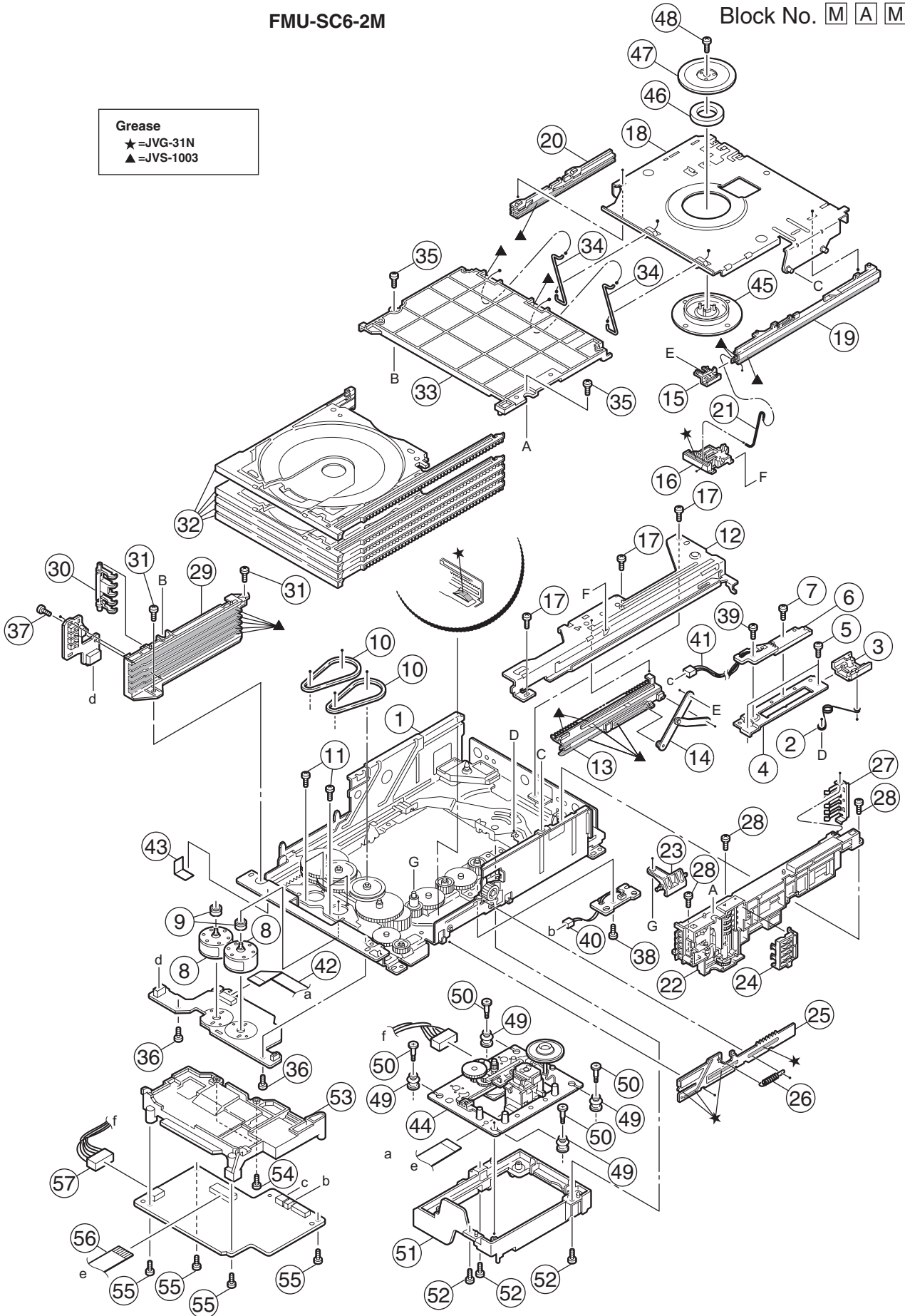
△ Symbol No.	Part No.	Part Name	Description	Local	△ Symbol No.	Part No.	Part Name	Description	Local
1	J200-XGD7L0S-40	FRONT PANEL ASY			13	441-802103-00	LEG CUSHION	(x8)	
1	J200-XGD7R0S-40	FRONT PANEL ASY			14	600-LXGX7J-00	SPEC LABEL		
2	J221-XGD7L0S-10	SIDE PANEL ASY			14	600-RXGX7J-00	SPEC LABEL		
2	J221-XGD7R0S-10	SIDE PANEL ASY							
3	300-J0XGX71200	TOP WOOFER	(x2)						
4	300-J0XGX71600	SUBWOOFER	(x2)						
5	300-J1XGX71200	BOTTOM WOOFER	(x2)						
6	302-J0XGX70500	TWEETER	(x2)						
7	411-B140100P1	SCREW	(x4)						
8	411-P140120P1	SCREW	(x16)						
9	411-B74516AB1	SCREW	(x2)						
10	411-B74530AB1	SCREW	(x14)						
11	411-B84020AB1	SCREW	(x8)						
12	411-N54020AB1	SCREW	(x8)						

CD changer mechanism assembly and parts list

FMU-SC6-2M

Block No. M A M M

Grease
 ★=JVG-31N
 ▲=JVS-1003



CD changer mechanism

Block No. [M][A][M][M]

△ Symbol No.	Part No.	Part Name	Description	Local
1	LV10743-004A	CHASSIS ASSY		
2	LV43278-001A	SENSOR SPRING		
3	LV33961-002A	SENSOR SLIDER		
4	LV33962-001A	SENSOR BRACKET		
5	QYSDST2605Z	SCREW	2.6mm x 5mm(x2)	
6	QVY0027-B14	S V RESISTOR		
7	QYSDST2004Z	SCREW	2mm x 4mm	
8	QAR0164-001	MOTOR	(x2)	
9	LV42340-001A	MOTOR PULLEY	(x2)	
10	LV41431-002A	BELT	(x2)	
11	QYSPSPU1725N	SCREW	1.7mm x 2.5mm(x4)	
12	LV10744-002A	RACK HOLDER		
13	LV21406-003A	LOADING RACK		
14	LV43279-001A	LIFT ARM ASSY		
15	LV33963-001A	HOOK		
16	LV33964-002A	HOOK STOPPER		
17	QYSDST2605Z	SCREW	2.6mm x 5mm(x3)	
18	LV33965-004A	LIFTER ASSY		
19	LV21408-002A	RAIL(R)		
20	LV21409-002A	RAIL(L)		
21	LV43285-001A	ROD (L)		
22	LV21520-003A	SIDE(R) ASSY		
23	LV33974-001A	SELECT LEVER		
24	LV33975-001A	GEAR COVER		
25	LV33976-001A	ELEVATOR CAM		
26	LV43287-001A	ELEVATOR SPRING		
27	LV33977-002A	CLICK SPRING		
28	QYSDST2605Z	SCREW	2.6mm x 5mm(x3)	
29	LV10749-002A	SIDE(L)		
30	LV33980-001A	OPEN DET.LEVER		
31	QYSDST2605Z	SCREW	2.6mm x 5mm(x2)	
32	LV10746-003A	TRAY ASSY	(x5)	
33	LV10750-002A	TOP COVER		
34	LV43289-002A	ROD	(x2)	
35	QYSDSF2608Z	SCREW	2.6mm x 8mm(x2)	
36	QYSDST2605Z	SCREW	2.6mm x 5mm(x2)	
37	QYSDSF2608Z	SCREW	2.6mm x 8mm	
38	QYSDST2605Z	SCREW	2.6mm x 5mm	
39	QYSDST2004Z	SCREW	2mm x 4mm	
40	WJM0330-002A	E-SI C WIRE C-F		
41	WJM0331-001A	E-SI C WIRE C-F		
42	QUQ110-1521BF	FFC WIRE		
43	VYSA1R4-056	SPACER		
44	-----	CD TRAMECHA ASSY		
45	VKS3697-001	CLAMPER	OT 1	
46	VYH7313-005	MAGNET	OT 2	
47	LV33981-001A	CD YOKE	OT 3	
48	QYSDSF2606Z	SCREW	OT 4	
49	LV41659-002A	INSULATOR	(x4)	
50	LV43245-001A	SPECIAL SCREW	(x4)	
51	LV21410-001A	CD TM BASE		
52	QYSDST2605Z	SCREW	2.6mm x 5mm(x3)	
53	LV21411-001A	CD MODULE BKT		
54	QYSDST2605Z	SCREW	2.6mm x 5mm(x2)	
55	QYSDSF2608Z	SCREW	2.6mm x 8mm(x4)	
56	QUQ710-16Y0AJ	FFC WIRE		
57	QJJ010-061802	SIN CR C-C WIRE		

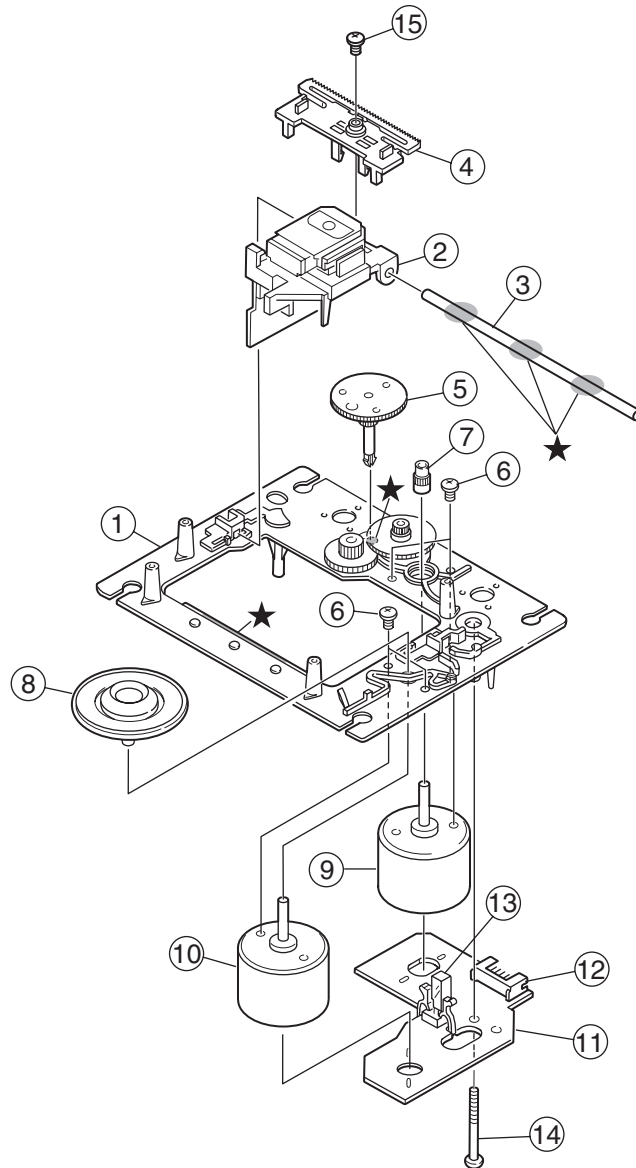
CD mechanism assembly and parts list

Block No. M B M M

Grease & Bond

★ = JVG-31N

FXL-M75T-2M



CD mechanism

Block No. MBMM

△ Symbol No. Part No. Part Name Description Local

△ Symbol No.	Part No.	Part Name	Description	Local
1	LV10723-002A	CD MECHA BASE A		
2	OPTIMA-73B1C	C.D PICK		
3	E406777-002SM	C.D SHAFT		
4	LV31002-001A	CD RACK		
5	E307745-441SM	C.D GEAR 3		
6	QYSDSP2003N	SCREW	2mm x 3mm(x4)	
7	E406750-442SM	PINION		
8	LV42350-001A	T.T.ASSY		

9	QAR0253-001	FEED MOTOR		
10	QAR0276-001	SP MOTOR		
11	EMW10190-441	CIR BOARD		
12	QGA2001F1-06	CONNECTOR	W-B (1-6)	
13	QSW0506-001	LEAF SW		
14	E75832-221SS	SPECIAL SCREW		
15	QYSDSF2006Z	SCREW	2mm x 6mm	

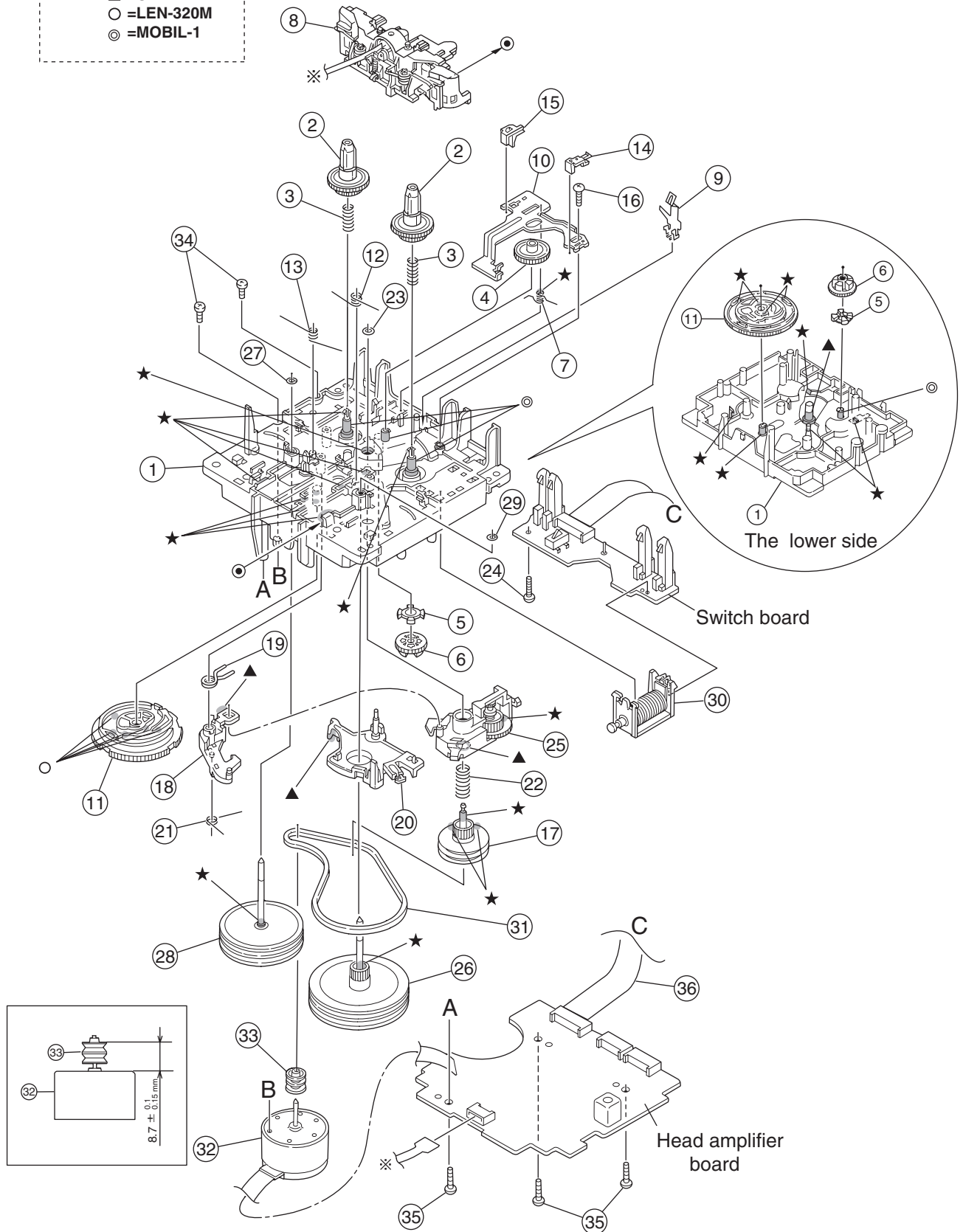
Cassette mechanism assembly and parts list

Block No. M P M M

SLC-S302M

Grease

- ★ =EM-30L
- ▲ =UD-24
- =LEN-320M
- ◎ =MOBIL-1



Cassette mechanism

Block No. [M][P][M][M]

Symbol No.	Part No.	Part Name	Description	Local
1	VKS1165-00N	CHASSIS B. ASSY		
2	VKS2274-002	REEL GEAR	(x2)	
3	VKW5286-002	B.T. SPRING	(x2)	
4	VKS5559-001	PLAY IDLE GEAR		
5	VKS5595-002	BLIND		
6	VKS5560-003	FR IDLE GEAR		
7	LV42013-001A	EARTH SPRING		
8	SLC-RP4SVM	HEAD MOUNT ASSY		
9	VKY3149-002	CASSETTE SP.		
10	LV31786-002A	PLAY LEVER		
11	VKS1166-003	CONTROL CAM		
12	VKW5279-002	HEAD BASE SP(R)		
13	VKW5280-001	HEAD BASE SP(L)		
14	LV41584-001A	BRAKE(R)		
15	LV41585-003A	BRAKE(L)		
16	QYSBSF2005Z	SCREW	2mm x 5mm	
17	VKS5603-00G	MAIN PULLEY ASS		
18	VKS3785-001MM	FR ARM		
19	VKW5284-002	SWING SPRING		
20	VKS2278-003	TRIGGER ARM		
21	VKW5301-001	FR SPRING		
22	VKW5266-001	ELEVATOR SPRING		
23	WDL214025	WASHER		
24	QYSBSF2005Z	SCREW	2mm x 5mm	
25	VKS3786-00G	CLUTCH ASSY		
26	VKF3205-00B	F.WHEEL ASSY(R)		
27	WDL183425	SLIT WASHER		
28	VKF3207-00C	F.WHEEL ASSY(L)		
29	WDL173525-6	SLIT WASHER		
30	VKZ3174-00B	DC SOLENOID		
31	LV42836-001A	CAPSTAN BELT		
32	MSI-5U2LWA	D.C.MOTOR		
33	VKR4761-003	MOTOR PULLEY		
34	QYSPSP2604Z	SCREW	2.6mm x 4mm(x2)	
35	QYSBSF2608Z	TAPPING SCREW	2.6mm x 8mm(x3)	
36	QUQH12-0906BF	WIRE		

Electrical parts list

Power board

Block No. [0][1][0][0]

△ Symbol No.	Part No.	Part Name	Description	Local	△ Symbol No.	Part No.	Part Name	Description	Local
△ IC201	KIA7812API	IC			R209	QRE141J-104Y	C RESISTOR	100kΩ 1/4W J	
Q205	KTC3199/GL-T	TRANSISTOR			R211	QRE141J-104Y	C RESISTOR	100kΩ 1/4W J	
△ Q206	KTC2026/OY/	TRANSISTOR			△ R212	QRJ146J-470X	UNF C RESISTOR	47Ω 1/4W J	
Q212	KTC3203/OY-T	TRANSISTOR			R213	QRE141J-752Y	C RESISTOR	7.5kΩ 1/4W J	
Q216	KTC3199/GL-T	TRANSISTOR			R214	QRE141J-104Y	C RESISTOR	100kΩ 1/4W J	
Q220	KTC3199/GL-T	TRANSISTOR			△ R225	QRJ146J-6R8X	UNF C RESISTOR	6.8Ω 1/4W J	
Q221	KTC3199/GL-T	TRANSISTOR			R226	QRE141J-102Y	C RESISTOR	1kΩ 1/4W J	
Q222	KTA1267/YG-T	TRANSISTOR			R227	QRE141J-103Y	C RESISTOR	10kΩ 1/4W J	
Q230	2SC3576-JVC-T	TRANSISTOR			R228	QRE141J-473Y	C RESISTOR	47kΩ 1/4W J	
Q231	2SC3576-JVC-T	TRANSISTOR			R229	QRE141J-153Y	C RESISTOR	15kΩ 1/4W J	
Q232	2SC3576-JVC-T	TRANSISTOR			R230	QRE141J-153Y	C RESISTOR	15kΩ 1/4W J	
Q233	2SC3576-JVC-T	TRANSISTOR			R231	QRE141J-223Y	C RESISTOR	22kΩ 1/4W J	
Q234	KRA111M-T	DIGI TRANSISTOR			R232	QRE141J-223Y	C RESISTOR	22kΩ 1/4W J	
△ D204	1N5402M-20	DIODE			R234	QRE141J-102Y	C RESISTOR	1kΩ 1/4W J	
△ D205	1N5402M-20	DIODE			R236	QRE141J-472Y	C RESISTOR	4.7kΩ 1/4W J	
△ D206	1N5402M-20	DIODE			R237	QRE141J-472Y	C RESISTOR	4.7kΩ 1/4W J	
△ D207	1N5402M-20	DIODE			R238	QRE141J-472Y	C RESISTOR	4.7kΩ 1/4W J	
△ D208	1N5402M-20	DIODE			R239	QRE141J-472Y	C RESISTOR	4.7kΩ 1/4W J	
△ D209	1N5402M-20	DIODE			R240	QRE141J-103Y	C RESISTOR	10kΩ 1/4W J	
△ D210	1N5402M-20	DIODE			R241	QRE141J-104Y	C RESISTOR	100kΩ 1/4W J	
△ D211	1N5402M-20	DIODE			R242	QRE141J-103Y	C RESISTOR	10kΩ 1/4W J	
△ D212	2A02-M	DIODE			R243	QRE141J-104Y	C RESISTOR	100kΩ 1/4W J	
△ D213	2A02-M	DIODE			R250	QRE141J-472Y	C RESISTOR	4.7kΩ 1/4W J	
△ D214	2A02-M	DIODE			R251	QRE141J-472Y	C RESISTOR	4.7kΩ 1/4W J	
△ D215	2A02-M	DIODE			R252	QRE141J-472Y	C RESISTOR	4.7kΩ 1/4W J	
D221	MTZJ6.8B-T2	Z DIODE			R253	QRE141J-472Y	C RESISTOR	4.7kΩ 1/4W J	
D224	MTZJ18B-T2	Z DIODE			△ R254	QRL01DJ-471X	OMF RESISTOR	470Ω 1W J	
D225	MTZJ20B-T2	Z DIODE			△ R255	QRL01DJ-471X	OMF RESISTOR	470Ω 1W J	
D226	MTZJ5.1B-T2	Z DIODE			△ R260	QRK126J-331X	UNF C RESISTOR	330Ω 1/2W J	
D227	1SS133-T2	DIODE			△ R261	QRK126J-331X	UNF C RESISTOR	330Ω 1/2W J	
D228	1SS133-T2	DIODE			△ R262	QRK126J-331X	UNF C RESISTOR	330Ω 1/2W J	
D229	1SS133-T2	DIODE			△ R263	QRK126J-331X	UNF C RESISTOR	330Ω 1/2W J	
D230	1SS133-T2	DIODE			△ R264	QRK126J-331X	UNF C RESISTOR	330Ω 1/2W J	
D231	1SS133-T2	DIODE			△ R265	QRK126J-331X	UNF C RESISTOR	330Ω 1/2W J	
D237	MTZJ13B-T2	Z DIODE			△ R275	QRZ9006-4R7X	F.RESISTOR	4.7Ω 1/4W J	
D240	1SS133-T2	DIODE			△ R277	QRZ9006-4R7X	F.RESISTOR	4.7Ω 1/4W J	
D260	1SS133-T2	DIODE			L250	QQL231K-470Y	COIL	47uH K	
D261	1SS133-T2	DIODE			CN200	QGA7901C1-02	CONNECTOR	W-B (1-2)	
C207	QFLC2AJ-103Z	M CAPACITOR	0.01uF 100V J		CN201	QGD2504C1-04Z	CONNECTOR	(1-4)	
C208	QFLC2AJ-103Z	M CAPACITOR	0.01uF 100V J		CN202	QGA2501C1-03	CONNECTOR	W-B (1-3)	
C209	QETM1EM-688	E CAPACITOR	6800uF 25V M		CN205	QGD2504C1-03Z	CONNECTOR	(1-3)	
C212	EETB1HM-228JC	E CAPACITOR			CN206	QGA2501C1-10	CONNECTOR	W-B (1-10)	
C213	EETB1HM-228JC	E CAPACITOR			CN207	QGB2510K1-13	CONNECTOR	B-B (1-13)	
C214	QFLC2AJ-103Z	M CAPACITOR	0.01uF 100V J		CN208	QGA2501C1-11	CONNECTOR	W-B (1-11)	
C215	QFLC2AJ-103Z	M CAPACITOR	0.01uF 100V J		CN213	QGD2504C1-04Z	CONNECTOR	(1-4)	
C216	QFKC2EK-104Z	MM CAPACITOR	0.1uF 250V K		CN214	QGA3901C1-08	CONNECTOR	W-B (1-8)	
C217	QEZ0613-478	E CAPACITOR	4700uF		EP200	QNZ0136-001Z	EARTH PLATE		
C218	QEZ0613-478	E CAPACITOR	4700uF		EP201	QNZ0136-001Z	EARTH PLATE		
C219	QFKC2EK-103Z	MM CAPACITOR	0.01uF 250V K		FT200	QNG0003-001Z	FUSE CLIP		
C220	QCE22HP-103	C CAPACITOR	0.01uF 500V P		FT201	QNG0003-001Z	FUSE CLIP		
C221	QFKC2EK-103Z	MM CAPACITOR	0.01uF 250V K		FT220	QNG0003-001Z	FUSE CLIP		
C225	QETN1HM-476Z	E CAPACITOR	47uF 50V M		FT221	QNG0003-001Z	FUSE CLIP		
C227	QETN1HM-106Z	E CAPACITOR	10uF 50V M		FT230	QNG0003-001Z	FUSE CLIP		
C228	QETN2AM-476Z	E CAPACITOR	47uF 100V M		FT231	QNG0003-001Z	FUSE CLIP		
C229	QETN1HM-226Z	E CAPACITOR	22uF 50V M		FT250	QNG0003-001Z	FUSE CLIP		
C230	QDYB1CM-103Y	C CAPACITOR	0.01uF 16V M		FT251	QNG0003-001Z	FUSE CLIP		
C231	QETN1HM-226Z	E CAPACITOR	22uF 50V M		FW202	QUM154-20DGZ4	FLAT WIRE		
C232	QETN1EM-476Z	E CAPACITOR	47uF 25V M		FW204	QJK015-082614	FLAT WIRE		
C237	QETN1HM-106Z	E CAPACITOR	10uF 50V M		J200	QNB0193-002	SPK.TERMINAL		
C238	QETN1HM-106Z	E CAPACITOR	10uF 50V M		PP200	QZW0038-001	WIRE CLAMP		
C240	QETN1HM-106Z	E CAPACITOR	10uF 50V M		RY1	QSK0109-001	RELAY		
C241	QETN1EM-476Z	E CAPACITOR	47uF 25V M		RY2	QSK0109-001	RELAY		
△ R200	QRZ9037-335	COMP RESISTOR	3.3MΩ 1/2W K						
△ R204	QRK126J-470X	UNF C RESISTOR	47Ω 1/2W J						
△ R205	QRK126J-470X	UNF C RESISTOR	47Ω 1/2W J						
R206	QRE141J-104Y	C RESISTOR	100kΩ 1/4W J						
R207	QRE141J-104Y	C RESISTOR	100kΩ 1/4W J						
R208	QRE141J-104Y	C RESISTOR	100kΩ 1/4W J						

Input board

Block No. [0][2][0][0]

Symbol No.	Part No.	Part Name	Description	Local
IC125	BA33BC0T	REGULATOR IC		
IC401	LC75342M-X	IC		
IC442	JCV8011-X	IC		
IC466	NJM4565M-WE	IC		
IC467	NJM4565M-WE	IC		
IC485	NJM4565M-WE	IC		
IC486	NJM4565M-WE	IC		
IC526	NJM4565M-WE	IC		
IC534	CD4066BM-X	IC		
IC801	UPD784215AGF540	IC		
IC802	BR24L01AF-W-X	IC		
IC951	GP1UM271XK	IR DETECT UNIT	38kHz	
IC956	NJM4565M-WE	IC		
Q100	2SD601A/RS/-X	TRANSISTOR		
Q101	2SD601A/RS/-X	TRANSISTOR		
Q110	UN2211-X	TRANSISTOR		
Q111	UN2213-X	DIGI TRANSISTOR		
Q442	KTC3199/GL/-T	TRANSISTOR		
Q485	2SD601A/RS/-X	TRANSISTOR		
Q486	2SD601A/RS/-X	TRANSISTOR		
Q487	2SD601A/RS/-X	TRANSISTOR		
Q515	2SD1328/ST/-X	TRANSISTOR		
Q516	2SD1328/ST/-X	TRANSISTOR		
Q517	2SD1328/ST/-X	TRANSISTOR		
Q534	UN2213-X	DIGI TRANSISTOR		
Q535	UN2213-X	DIGI TRANSISTOR		
Q540	UN2113-X	TRANSISTOR		
Q541	2SD1328/ST/-X	TRANSISTOR		
Q542	2SD1328/ST/-X	TRANSISTOR		
Q567	KTA1267/YG/-T	TRANSISTOR		
Q568	UN2211-X	TRANSISTOR		
Q594	2SD601A/RS/-X	TRANSISTOR		
Q595	UN2215-X	TRANSISTOR		
Q802	UN2211-X	TRANSISTOR		
Q803	UN2115-X	D.TRANSISTOR		
Q804	UN2111-X	TRANSISTOR		
Q900	UN2211-X	TRANSISTOR		
Q901	UN2211-X	TRANSISTOR		
Q902	UN2211-X	TRANSISTOR		
Q903	UN2211-X	TRANSISTOR		
Q930	UN2211-X	TRANSISTOR		
D100	1SS133-T2	DIODE		
D466	1SS133-T2	DIODE		
D467	1SS133-T2	DIODE		
D485	1SS133-T2	DIODE		
D486	1SS133-T2	DIODE		
D515	MTZJ3.9B-T2	Z DIODE		
D516	MTZJ3.9B-T2	Z DIODE		
D567	1SS133-T2	DIODE		
D594	1SS133-T2	DIODE		
D595	1SS133-T2	DIODE		
D801	MTZJ5.1B-T2	Z DIODE		
D803	1SS133-T2	DIODE		
D804	1SS133-T2	DIODE		
D805	1SS133-T2	DIODE		
D806	1SS133-T2	DIODE		
D807	1SS133-T2	DIODE		
D808	1SS133-T2	DIODE		
D809	MTZJ4.3B-T2	Z DIODE		
D811	1SS133-T2	DIODE		
D813	1SS133-T2	DIODE		
D814	1SS133-T2	DIODE		
D900	SLR-342VC-T	LED		
D901	SLR-342VC-T	LED		
D902	SLA-362LT-T	LED		
D903	SLA-362LT-T	LED		
D904	SLA-362LT-T	LED		
D905	SLA-362LT-T	LED		
D906	SLA-362LT-T	LED		
D907	SLA-362LT-T	LED		
D915	1SS133-T2	DIODE		
D918	1SS133-T2	DIODE		

Symbol No.	Part No.	Part Name	Description	Local
D1003	MTZJ2.4B-T2	Z DIODE		
C100	QEKC1HM-105Z	E CAPACITOR	1uF 50V M	
C101	NCB31HK-681X	C CAPACITOR	680pF 50V K	
C102	NCB31CK-223X	C CAPACITOR	0.022uF 16V K	
C103	NCS31HJ-330X	C CAPACITOR	33pF 50V J	
C104	NCB31HK-182X	C CAPACITOR	1800pF 50V K	
C111	NCB31CK-103X	C CAPACITOR	0.01uF 16V K	
C112	QETN1HM-106Z	E CAPACITOR	10uF 50V M	
C113	QETN1HM-106Z	E CAPACITOR	10uF 50V M	
C114	QETN1AM-227Z	E CAPACITOR	220uF 10V M	
C116	NCB31CK-104X	C CAPACITOR	0.1uF 16V K	
C125	QETN1AM-477Z	E CAPACITOR	470uF 10V M	
C126	NCF31CZ-104X	C CAPACITOR	0.1uF 16V Z	
C127	NCF31CZ-104X	C CAPACITOR	0.1uF 16V Z	
C401	NCB31HK-471X	C CAPACITOR	470pF 50V K	
C402	QETN1EM-107Z	E CAPACITOR	100uF 25V M	
C403	NCB31CK-104X	C CAPACITOR	0.1uF 16V K	
C404	NCB31CK-104X	C CAPACITOR	0.1uF 16V K	
C405	NCB31CK-104X	C CAPACITOR	0.1uF 16V K	
C406	NCB31CK-104X	C CAPACITOR	0.1uF 16V K	
C407	NCB31HK-272X	C CAPACITOR	2700pF 50V K	
C408	NCB31HK-272X	C CAPACITOR	2700pF 50V K	
C409	QTE1H28-106Z	E CAPACITOR	10uF 50V	
C410	QTE1H28-106Z	E CAPACITOR	10uF 50V	
C411	QTE1H28-106Z	E CAPACITOR	10uF 50V	
C412	QTE1H28-106Z	E CAPACITOR	10uF 50V	
C413	QETN1HM-106Z	E CAPACITOR	10uF 50V M	
C414	QETN1HM-106Z	E CAPACITOR	10uF 50V M	
C415	QETN1HM-106Z	E CAPACITOR	10uF 50V M	
C416	QETN1HM-106Z	E CAPACITOR	10uF 50V M	
C417	QETN1HM-225Z	E CAPACITOR	2.2uF 50V M	
C418	QETN1HM-225Z	E CAPACITOR	2.2uF 50V M	
C419	QTE1H28-106Z	E CAPACITOR	10uF 50V	
C420	QTE1H28-106Z	E CAPACITOR	10uF 50V	
C421	NCB31HK-471X	C CAPACITOR	470pF 50V K	
C422	NCB31HK-471X	C CAPACITOR	470pF 50V K	
C423	QETN1EM-107Z	E CAPACITOR	100uF 25V M	
C425	NCF21CZ-105X	C CAPACITOR	1uF 16V Z	
C432	NCS31HJ-101X	C CAPACITOR	100pF 50V J	
C433	NCS31HJ-101X	C CAPACITOR	100pF 50V J	
C446	QTE1H28-106Z	E CAPACITOR	10uF 50V	
C447	QTE1H28-106Z	E CAPACITOR	10uF 50V	
C450	QETN1EM-476Z	E CAPACITOR	47uF 25V M	
C451	QETN1HM-106Z	E CAPACITOR	10uF 50V M	
C452	NCB31CK-273X	C CAPACITOR	0.027uF 16V K	
C453	QETN1HM-475Z	E CAPACITOR	4.7uF 50V M	
C454	QETN1HM-475Z	E CAPACITOR	4.7uF 50V M	
C455	QETN1HM-225Z	E CAPACITOR	2.2uF 50V M	
C456	QETN1HM-106Z	E CAPACITOR	10uF 50V M	
C457	QETN1HM-106Z	E CAPACITOR	10uF 50V M	
C458	QETN1HM-106Z	E CAPACITOR	10uF 50V M	
C459	QETN1HM-475Z	E CAPACITOR	4.7uF 50V M	
C460	QETN1HM-106Z	E CAPACITOR	10uF 50V M	
C461	QETN1HM-474Z	E CAPACITOR	0.47uF 50V M	
C462	QETN1HM-224Z	E CAPACITOR	0.22uF 50V M	
C463	QETN1EM-106Z	E CAPACITOR	10uF 25V M	
C464	QETN1HM-106Z	E CAPACITOR	10uF 50V M	
C466	QETN1HM-475Z	E CAPACITOR	4.7uF 50V M	
C467	QETN1HM-475Z	E CAPACITOR	4.7uF 50V M	
C468	NCB31CK-224X	C CAPACITOR	0.22uF 16V K	
C469	NCB31CK-473X	C CAPACITOR	0.047uF 16V K	
C470	NCB31HK-822X	C CAPACITOR	8200pF 50V K	
C471	QETN1HM-475Z	E CAPACITOR	4.7uF 50V M	
C472	QETN1HM-475Z	E CAPACITOR	4.7uF 50V M	
C473	NCB31CK-224X	C CAPACITOR	0.22uF 16V K	
C474	NCB31CK-273X	C CAPACITOR	0.027uF 16V K	
C475	NCB31HK-222X	C CAPACITOR	2200pF 50V K	
C476	NCB31CK-153X	C CAPACITOR	0.015uF 16V K	
C477	QETN1CM-107Z	E CAPACITOR	100uF 16V M	
C485	NCB31CK-393X	C CAPACITOR	0.039uF 16V K	
C486	NCB31CK-823X	C CAPACITOR	0.082uF 16V K	
C487	NCB31CK-104X	C CAPACITOR	0.1uF 16V K	
C488	NCB31CK-104X	C CAPACITOR	0.1uF 16V K	
C489	QETN1EM-476Z	E CAPACITOR	47uF 25V M	
C490	QETN1HM-105Z	E CAPACITOR	1uF 50V M	
C491	QETN1EM-476Z	E CAPACITOR	47uF 25V M	
C492	QETN1EM-476Z	E CAPACITOR	47uF 25V M	

△ Symbol No.	Part No.	Part Name	Description	Local	△ Symbol No.	Part No.	Part Name	Description	Local
C493	NDC31HJ-101X	C CAPACITOR	100pF 50V J		R407	NRSA63J-203X	MG RESISTOR	20kΩ 1/16W J	
C494	QETN1HM-225Z	E CAPACITOR	2.2uF 50V M		R408	NRSA63J-153X	MG RESISTOR	15kΩ 1/16W J	
C495	QETN1HM-476Z	E CAPACITOR	47uF 50V M		R409	NRSA63J-153X	MG RESISTOR	15kΩ 1/16W J	
C496	QETN1EM-476Z	E CAPACITOR	47uF 25V M		R412	NRSA63J-104X	MG RESISTOR	100kΩ 1/16W J	
C497	QETN1CM-227Z	E CAPACITOR	220uF 16V M		R413	NRSA63J-104X	MG RESISTOR	100kΩ 1/16W J	
C498	QETN1EM-476Z	E CAPACITOR	47uF 25V M		R414	NRSA63J-104X	MG RESISTOR	100kΩ 1/16W J	
C499	NCB31HK-272X	C CAPACITOR	2700pF 50V K		R415	NRSA63J-104X	MG RESISTOR	100kΩ 1/16W J	
C526	QTE1V06-106Z	E CAPACITOR	10uF 35V		R425	NRSA63J-303X	MG RESISTOR	30kΩ 1/16W J	
C527	QTE1V06-106Z	E CAPACITOR	10uF 35V		R426	NRSA63J-303X	MG RESISTOR	30kΩ 1/16W J	
C528	QFLC1HJ-153Z	M CAPACITOR	0.015uF 50V J		R442	NRSA63J-472X	MG RESISTOR	4.7kΩ 1/16W J	
C529	QFLC1HJ-153Z	M CAPACITOR	0.015uF 50V J		R443	NRSA63J-472X	MG RESISTOR	4.7kΩ 1/16W J	
C530	QFLC1HJ-153Z	M CAPACITOR	0.015uF 50V J		R444	NRSA63J-622X	MG RESISTOR	6.2kΩ 1/16W J	
C531	QFLC1HJ-153Z	M CAPACITOR	0.015uF 50V J		R445	NRSA63J-622X	MG RESISTOR	6.2kΩ 1/16W J	
C532	QTE1V06-106Z	E CAPACITOR	10uF 35V		R446	NRSA63J-103X	MG RESISTOR	10kΩ 1/16W J	
C533	QTE1V06-106Z	E CAPACITOR	10uF 35V		R447	NRSA63J-103X	MG RESISTOR	10kΩ 1/16W J	
C534	QETN1EM-476Z	E CAPACITOR	47uF 25V M		R448	NRSA63J-472X	MG RESISTOR	4.7kΩ 1/16W J	
C536	QETN1CM-107Z	E CAPACITOR	100uF 16V M		R449	NRSA63J-562X	MG RESISTOR	5.6kΩ 1/16W J	
C540	QETN1HM-106Z	E CAPACITOR	10uF 50V M		R450	NRSA63J-104X	MG RESISTOR	100kΩ 1/16W J	
C543	NCF21CZ-105X	C CAPACITOR	1uF 16V Z		R452	NRSA63J-474X	MG RESISTOR	470kΩ 1/16W J	
C544	NCF21CZ-105X	C CAPACITOR	1uF 16V Z		R453	NRSA63J-474X	MG RESISTOR	470kΩ 1/16W J	
C545	NCF21CZ-105X	C CAPACITOR	1uF 16V Z		R454	NRSA63J-101X	MG RESISTOR	100Ω 1/16W J	
C546	NCF21CZ-105X	C CAPACITOR	1uF 16V Z		R455	NRSA63J-225X	MG RESISTOR	2.2MΩ 1/16W J	
C571	QETN1AM-477Z	E CAPACITOR	470uF 10V M		R456	NRSA63J-153X	MG RESISTOR	15kΩ 1/16W J	
C594	QETN1HM-105Z	E CAPACITOR	1uF 50V M		R458	NRSA63J-0R0X	MG RESISTOR	0Ω 1/16W J	
C595	QETN1HM-105Z	E CAPACITOR	1uF 50V M		R459	NRSA63J-682X	MG RESISTOR	6.8kΩ 1/16W J	
C596	QETN1HM-105Z	E CAPACITOR	1uF 50V M		R466	NRSA63J-332X	MG RESISTOR	3.3kΩ 1/16W J	
C597	NCS31HJ-330X	C CAPACITOR	33pF 50V J		R467	NRSA63J-332X	MG RESISTOR	3.3kΩ 1/16W J	
C801	NCS31HJ-270X	C CAPACITOR	27pF 50V J		R468	QRE141J-433Y	C RESISTOR	43kΩ 1/4W J	
C802	NCS31HJ-300X	C CAPACITOR	30pF 50V J		R469	QRE141J-433Y	C RESISTOR	43kΩ 1/4W J	
C804	NCB31CK-103X	C CAPACITOR	0.01uF 16V K		R470	NRSA63J-274X	MG RESISTOR	270kΩ 1/16W J	
C805	NCF21CZ-105X	C CAPACITOR	1uF 16V Z		R471	NRSA63J-104X	MG RESISTOR	100kΩ 1/16W J	
C806	QETN1AM-227Z	E CAPACITOR	220uF 10V M		R472	NRSA63J-104X	MG RESISTOR	100kΩ 1/16W J	
C807	QETN1AM-477Z	E CAPACITOR	470uF 10V M		R473	NRSA63J-104X	MG RESISTOR	100kΩ 1/16W J	
C808	NCB31CK-224X	C CAPACITOR	0.22uF 16V K		R474	NRSA63J-104X	MG RESISTOR	100kΩ 1/16W J	
C809	QETN1HM-475Z	E CAPACITOR	4.7uF 50V M		R475	NRSA63J-224X	MG RESISTOR	220kΩ 1/16W J	
C810	NCB31CK-224X	C CAPACITOR	0.22uF 16V K		R476	NRSA63J-224X	MG RESISTOR	220kΩ 1/16W J	
C811	QETN1CM-107Z	E CAPACITOR	100uF 16V M		R477	NRSA63J-563X	MG RESISTOR	56kΩ 1/16W J	
C812	NCB31CK-103X	C CAPACITOR	0.01uF 16V K		R478	NRSA63J-223X	MG RESISTOR	22kΩ 1/16W J	
C900	QEKCOJM-107Z	E CAPACITOR	100uF 6.3V M		R479	NRSA63J-223X	MG RESISTOR	22kΩ 1/16W J	
C901	NCB31CK-102X	C CAPACITOR	1000pF 16V K		R480	QRE141J-102Y	C RESISTOR	1kΩ 1/4W J	
C902	QEKCOJM-107Z	E CAPACITOR	100uF 6.3V M		R481	NRSA63J-822X	MG RESISTOR	8.2kΩ 1/16W J	
C921	QEKC1AM-107Z	E CAPACITOR	100uF 10V M		R482	NRSA63J-823X	MG RESISTOR	82kΩ 1/16W J	
C923	NCB31CK-102X	C CAPACITOR	1000pF 16V K		R485	NRSA63J-124X	MG RESISTOR	120kΩ 1/16W J	
C928	NCB31HK-221X	C CAPACITOR	220pF 50V K		R486	NRSA63J-223X	MG RESISTOR	22kΩ 1/16W J	
C929	NCB31HK-221X	C CAPACITOR	220pF 50V K		R487	QRE141J-562Y	C RESISTOR	5.6kΩ 1/4W J	
C960	QEKC1HM-475Z	E CAPACITOR	4.7uF 50V M		R488	NRSA63J-822X	MG RESISTOR	8.2kΩ 1/16W J	
C961	QEKC1HM-475Z	E CAPACITOR	4.7uF 50V M		R489	NRSA63J-113X	MG RESISTOR	11kΩ 1/16W J	
C962	QEKC1HM-475Z	E CAPACITOR	4.7uF 50V M		R490	NRSA63J-223X	MG RESISTOR	22kΩ 1/16W J	
C963	QEKC1HM-475Z	E CAPACITOR	4.7uF 50V M		R491	NRSA63J-223X	MG RESISTOR	22kΩ 1/16W J	
C964	QER61AM-227Z	E CAPACITOR	220uF 10V M		R492	NRSA63J-101X	MG RESISTOR	100Ω 1/16W J	
C1001	QDGB1HK-102Y	C CAPACITOR	1000pF 50V K		R493	NRSA63J-101X	MG RESISTOR	100Ω 1/16W J	
C1002	QDGB1HK-102Y	C CAPACITOR	1000pF 50V K		R494	NRSA63J-224X	MG RESISTOR	220kΩ 1/16W J	
C1003	QDXB1CM-222Y	C CAPACITOR	2200pF 16V M		R495	QRE141J-682Y	C RESISTOR	6.8kΩ 1/4W J	
C1004	QDGB1HK-102Y	C CAPACITOR	1000pF 50V K		R496	QRE141J-154Y	C RESISTOR	150kΩ 1/4W J	
C1005	QDGB1HK-102Y	C CAPACITOR	1000pF 50V K		R497	NRSA63J-104X	MG RESISTOR	100kΩ 1/16W J	
C1006	QDGB1HK-102Y	C CAPACITOR	1000pF 50V K		R498	NRSA63J-104X	MG RESISTOR	100kΩ 1/16W J	
					R499	NRSA63J-473X	MG RESISTOR	47kΩ 1/16W J	
R100	NRSA63J-104X	MG RESISTOR	100kΩ 1/16W J		R500	NRSA63J-473X	MG RESISTOR	47kΩ 1/16W J	
R101	NRSA63J-220X	MG RESISTOR	22Ω 1/16W J		R501	NRSA63J-271X	MG RESISTOR	270Ω 1/16W J	
R102	NRSA63J-225X	MG RESISTOR	2.2MΩ 1/16W J		R502	NRSA63J-104X	MG RESISTOR	100kΩ 1/16W J	
R103	NRSA63J-473X	MG RESISTOR	47kΩ 1/16W J		R503	QRE141J-562Y	C RESISTOR	5.6kΩ 1/4W J	
R110	NRSA63J-104X	MG RESISTOR	100kΩ 1/16W J		R504	QRE141J-103Y	C RESISTOR	10kΩ 1/4W J	
R111	NRSA63J-103X	MG RESISTOR	10kΩ 1/16W J		R515	NRSA63J-223X	MG RESISTOR	22kΩ 1/16W J	
R112	NRSA63J-103X	MG RESISTOR	10kΩ 1/16W J		R516	QRE141J-512Y	C RESISTOR	5.1kΩ 1/4W J	
R115	NRSA63J-222X	MG RESISTOR	2.2kΩ 1/16W J		R517	NRSA63J-223X	MG RESISTOR	22kΩ 1/16W J	
R116	NRSA63J-222X	MG RESISTOR	2.2kΩ 1/16W J		R518	QRE141J-272Y	C RESISTOR	2.7kΩ 1/4W J	
R117	NRSA63J-0R0X	MG RESISTOR	0Ω 1/16W J		R519	QRE141J-103Y	C RESISTOR	10kΩ 1/4W J	
R118	NRSA63J-0R0X	MG RESISTOR	0Ω 1/16W J		R520	NRSA63J-103X	MG RESISTOR	10kΩ 1/16W J	
R119	NRSA63J-102X	MG RESISTOR	1kΩ 1/16W J		R521	NRSA63J-102X	MG RESISTOR	1kΩ 1/16W J	
R120	NRSA63J-102X	MG RESISTOR	1kΩ 1/16W J		R522	NRSA63J-102X	MG RESISTOR	1kΩ 1/16W J	
R121	NRSA63J-104X	MG RESISTOR	100kΩ 1/16W J		R526	NRSA63J-104X	MG RESISTOR	100kΩ 1/16W J	
R122	NRSA63J-104X	MG RESISTOR	100kΩ 1/16W J		R527	NRSA63J-104X	MG RESISTOR	100kΩ 1/16W J	
R401	NRSA63J-102X	MG RESISTOR	1kΩ 1/16W J		R528	QRE141J-224Y	C RESISTOR	220kΩ 1/4W J	
R402	NRSA63J-102X	MG RESISTOR	1kΩ 1/16W J		R529	QRE141J-224Y	C RESISTOR	220kΩ 1/4W J	
R403	NRSA63J-102X	MG RESISTOR	1kΩ 1/16W J		R530	QRE141J-103Y	C RESISTOR	10kΩ 1/4W J	
R404	NRSA63J-362X	MG RESISTOR	3.6kΩ 1/16W J		R531	QRE141J-103Y	C RESISTOR	10kΩ 1/4W J	
R405	NRSA63J-362X	MG RESISTOR	3.6kΩ 1/16W J		R532	QRE141J-153Y	C RESISTOR	15kΩ 1/4W J	
R406	NRSA63J-203X	MG RESISTOR	20kΩ 1/16W J		R533	QRE141J-153Y	C RESISTOR	15kΩ 1/4W J	

△ Symbol No.	Part No.	Part Name	Description	Local	△ Symbol No.	Part No.	Part Name	Description	Local
R534	NRSA63J-513X	MG RESISTOR	51kΩ 1/16W J		R867	NRSA63J-104X	MG RESISTOR	100kΩ 1/16W J	
R535	NRSA63J-513X	MG RESISTOR	51kΩ 1/16W J		R868	NRSA63J-102X	MG RESISTOR	1kΩ 1/16W J	
R536	NRSA63J-103X	MG RESISTOR	10kΩ 1/16W J		R869	NRSA63J-102X	MG RESISTOR	1kΩ 1/16W J	
R537	NRSA63J-223X	MG RESISTOR	22kΩ 1/16W J		R870	NRSA63J-102X	MG RESISTOR	1kΩ 1/16W J	
R540	NRSA63J-102X	MG RESISTOR	1kΩ 1/16W J		R871	NRSA63J-102X	MG RESISTOR	1kΩ 1/16W J	
R541	NRSA63J-103X	MG RESISTOR	10kΩ 1/16W J		R872	NRSA63J-103X	MG RESISTOR	10kΩ 1/16W J	
R542	NRSA63J-103X	MG RESISTOR	10kΩ 1/16W J		R874	NRSA63J-103X	MG RESISTOR	10kΩ 1/16W J	
R567	NRSA63J-102X	MG RESISTOR	1kΩ 1/16W J		R875	NRSA63J-103X	MG RESISTOR	10kΩ 1/16W J	
R568	NRSA63J-102X	MG RESISTOR	1kΩ 1/16W J		R876	NRSA63J-103X	MG RESISTOR	10kΩ 1/16W J	
R569	NRSA63J-102X	MG RESISTOR	1kΩ 1/16W J		R877	NRSA63J-103X	MG RESISTOR	10kΩ 1/16W J	
R570	NRSA63J-102X	MG RESISTOR	1kΩ 1/16W J		R878	NRSA63J-103X	MG RESISTOR	10kΩ 1/16W J	
R571	NRSA63J-104X	MG RESISTOR	100kΩ 1/16W J		R879	NRSA63J-103X	MG RESISTOR	10kΩ 1/16W J	
R572	NRSA63J-104X	MG RESISTOR	100kΩ 1/16W J		R880	NRSA63J-103X	MG RESISTOR	10kΩ 1/16W J	
R573	NRSA63J-103X	MG RESISTOR	10kΩ 1/16W J		R881	NRSA63J-103X	MG RESISTOR	10kΩ 1/16W J	
R574	NRSA63J-223X	MG RESISTOR	22kΩ 1/16W J		R882	NRSA63J-103X	MG RESISTOR	10kΩ 1/16W J	
R575	NRSA63J-102X	MG RESISTOR	1kΩ 1/16W J		R883	NRSA63J-103X	MG RESISTOR	10kΩ 1/16W J	
R578	NRSA63J-104X	MG RESISTOR	100kΩ 1/16W J		R884	NRSA63J-103X	MG RESISTOR	10kΩ 1/16W J	
R579	NRSA63J-104X	MG RESISTOR	100kΩ 1/16W J		R887	NRSA63J-104X	MG RESISTOR	100kΩ 1/16W J	
R594	NRSA63J-682X	MG RESISTOR	6.8kΩ 1/16W J		R888	NRSA63J-102X	MG RESISTOR	1kΩ 1/16W J	
R595	NRSA63J-104X	MG RESISTOR	100kΩ 1/16W J		R889	NRSA63J-102X	MG RESISTOR	1kΩ 1/16W J	
R596	NRSA63J-104X	MG RESISTOR	100kΩ 1/16W J		R890	NRSA63J-103X	MG RESISTOR	10kΩ 1/16W J	
R597	NRSA63J-103X	MG RESISTOR	10kΩ 1/16W J		R891	NRSA63J-102X	MG RESISTOR	1kΩ 1/16W J	
R598	NRSA63J-473X	MG RESISTOR	47kΩ 1/16W J		R892	NRSA63J-102X	MG RESISTOR	1kΩ 1/16W J	
R599	NRSA63J-225X	MG RESISTOR	2.2MΩ 1/16W J		R893	NRSA63J-102X	MG RESISTOR	1kΩ 1/16W J	
R804	NRSA63J-102X	MG RESISTOR	1kΩ 1/16W J		R894	NRSA63J-102X	MG RESISTOR	1kΩ 1/16W J	
R805	NRSA63J-102X	MG RESISTOR	1kΩ 1/16W J		R895	NRSA63J-102X	MG RESISTOR	1kΩ 1/16W J	
R806	NRSA63J-102X	MG RESISTOR	1kΩ 1/16W J		R896	NRSA63J-102X	MG RESISTOR	1kΩ 1/16W J	
R807	NRSA63J-102X	MG RESISTOR	1kΩ 1/16W J		R897	NRSA63J-102X	MG RESISTOR	1kΩ 1/16W J	
R808	NRSA63J-221X	MG RESISTOR	220Ω 1/16W J		R898	NRSA63J-102X	MG RESISTOR	1kΩ 1/16W J	
R809	NRSA63J-102X	MG RESISTOR	1kΩ 1/16W J		R899	NRSA63J-102X	MG RESISTOR	1kΩ 1/16W J	
R810	NRSA63J-221X	MG RESISTOR	220Ω 1/16W J		R900	NRSA02J-221X	MG RESISTOR	220Ω 1/10W J	
R812	NRSA63J-102X	MG RESISTOR	1kΩ 1/16W J		R901	NRSA02J-221X	MG RESISTOR	220Ω 1/10W J	
R813	NRSA63J-102X	MG RESISTOR	1kΩ 1/16W J		R902	NRSA02J-221X	MG RESISTOR	220Ω 1/10W J	
R816	NRSA63J-102X	MG RESISTOR	1kΩ 1/16W J		R903	NRSA02J-221X	MG RESISTOR	220Ω 1/10W J	
R817	NRSA63J-102X	MG RESISTOR	1kΩ 1/16W J		R904	NRSA63J-101X	MG RESISTOR	100Ω 1/16W J	
R818	NRSA63J-102X	MG RESISTOR	1kΩ 1/16W J		R905	NRSA63J-121X	MG RESISTOR	120Ω 1/16W J	
R819	NRSA63J-102X	MG RESISTOR	1kΩ 1/16W J		R906	NRSA63J-151X	MG RESISTOR	150Ω 1/16W J	
R820	NRSA63J-102X	MG RESISTOR	1kΩ 1/16W J		R907	NRSA63J-221X	MG RESISTOR	220Ω 1/16W J	
R821	NRSA63J-102X	MG RESISTOR	1kΩ 1/16W J		R908	NRSA63J-271X	MG RESISTOR	270Ω 1/16W J	
R822	NRSA63J-102X	MG RESISTOR	1kΩ 1/16W J		R909	NRSA63J-391X	MG RESISTOR	390Ω 1/16W J	
R823	NRSA63J-102X	MG RESISTOR	1kΩ 1/16W J		R910	NRSA63J-561X	MG RESISTOR	560Ω 1/16W J	
R824	NRSA63J-102X	MG RESISTOR	1kΩ 1/16W J		R940	NRSA63J-183X	MG RESISTOR	18kΩ 1/16W J	
R825	NRSA63J-102X	MG RESISTOR	1kΩ 1/16W J		R941	NRSA63J-183X	MG RESISTOR	18kΩ 1/16W J	
R826	NRSA63J-102X	MG RESISTOR	1kΩ 1/16W J		R942	NRSA63J-823X	MG RESISTOR	82kΩ 1/16W J	
R827	NRSA63J-102X	MG RESISTOR	1kΩ 1/16W J		R943	NRSA63J-823X	MG RESISTOR	82kΩ 1/16W J	
R828	NRSA63J-102X	MG RESISTOR	1kΩ 1/16W J		R990	NRSA02J-221X	MG RESISTOR	220Ω 1/10W J	
R829	NRSA63J-102X	MG RESISTOR	1kΩ 1/16W J		R997	NRSA63J-101X	MG RESISTOR	100Ω 1/16W J	
R831	NRSA63J-102X	MG RESISTOR	1kΩ 1/16W J		R1150	NRSA63J-102X	MG RESISTOR	1kΩ 1/16W J	
R832	NRSA63J-102X	MG RESISTOR	1kΩ 1/16W J		R1151	NRSA63J-102X	MG RESISTOR	1kΩ 1/16W J	
R833	NRSA63J-102X	MG RESISTOR	1kΩ 1/16W J		R1152	NRSA63J-102X	MG RESISTOR	1kΩ 1/16W J	
R834	NRSA63J-122X	MG RESISTOR	1.2kΩ 1/16W J		R1153	NRSA63J-102X	MG RESISTOR	1kΩ 1/16W J	
R835	NRSA63J-122X	MG RESISTOR	1.2kΩ 1/16W J		R1154	NRSA63J-102X	MG RESISTOR	1kΩ 1/16W J	
R836	NRSA63J-102X	MG RESISTOR	1kΩ 1/16W J		R1155	NRSA63J-102X	MG RESISTOR	1kΩ 1/16W J	
R837	NRSA63J-221X	MG RESISTOR	220Ω 1/16W J		R1157	NRSA63J-103X	MG RESISTOR	10kΩ 1/16W J	
R838	NRSA63J-221X	MG RESISTOR	220Ω 1/16W J		R1900	NRSA02J-221X	MG RESISTOR	220Ω 1/10W J	
R839	NRSA63J-102X	MG RESISTOR	1kΩ 1/16W J		R1901	NRSA02J-221X	MG RESISTOR	220Ω 1/10W J	
R840	NRSA63J-102X	MG RESISTOR	1kΩ 1/16W J		R1902	NRSA02J-221X	MG RESISTOR	220Ω 1/10W J	
R841	NRSA63J-102X	MG RESISTOR	1kΩ 1/16W J		R1903	NRSA63J-102X	MG RESISTOR	1kΩ 1/16W J	
R842	NRSA63J-102X	MG RESISTOR	1kΩ 1/16W J		R1904	NRSA63J-102X	MG RESISTOR	1kΩ 1/16W J	
R843	NRSA63J-102X	MG RESISTOR	1kΩ 1/16W J		R1905	NRSA63J-513X	MG RESISTOR	51kΩ 1/16W J	
R844	NRSA63J-102X	MG RESISTOR	1kΩ 1/16W J		R1906	NRSA63J-513X	MG RESISTOR	51kΩ 1/16W J	
R845	NRSA63J-104X	MG RESISTOR	100kΩ 1/16W J		R1907	NRSA63J-103X	MG RESISTOR	10kΩ 1/16W J	
R846	NRSA63J-331X	MG RESISTOR	330Ω 1/16W J						
R847	NRSA63J-472X	MG RESISTOR	4.7kΩ 1/16W J		L1001	QQL231K-470Y	COIL	47uH K	
R848	NRSA63J-102X	MG RESISTOR	1kΩ 1/16W J		L1002	QQL231K-470Y	COIL	47uH K	
R849	NRSA63J-221X	MG RESISTOR	220Ω 1/16W J		L1003	QQL231K-2R2Y	COIL	2.2uH K	
R850	NRSA63J-221X	MG RESISTOR	220Ω 1/16W J						
R851	NRSA63J-221X	MG RESISTOR	220Ω 1/16W J		CN43	QGF1205F1-09	CONNECTOR	FFC/FPC (1-9)	
R852	NRSA63J-102X	MG RESISTOR	1kΩ 1/16W J		CN44	QGF1205F1-10	CONNECTOR	FFC/FPC (1-10)	
R853	NRSA63J-102X	MG RESISTOR	1kΩ 1/16W J		CN217	QGB2510J1-13	CONNECTOR	B-B (1-13)	
R854	NRSA63J-102X	MG RESISTOR	1kΩ 1/16W J		CN501	QGB2510K1-16	CONNECTOR	B-B (1-16)	
R855	NRSA63J-221X	MG RESISTOR	220Ω 1/16W J		CN560	QGF1205F1-11	CONNECTOR	FFC/FPC (1-11)	
R856	NRSA63J-102X	MG RESISTOR	1kΩ 1/16W J		CN661	QGF1036F1-17	CONNECTOR	FFC/FPC (1-17)	
R857	NRSA63J-102X	MG RESISTOR	1kΩ 1/16W J		CN801	QGF1210G1-07	CONNECTOR	FFC/FPC (1-7)	
R863	NRSA63J-102X	MG RESISTOR	1kΩ 1/16W J		CN802	QGF1205F1-23	CONNECTOR	FFC/FPC (1-23)	
R864	NRSA63J-222X	MG RESISTOR	2.2kΩ 1/16W J		CN803	QGF1205F1-15	CONNECTOR	FFC/FPC (1-15)	
R865	NRSA63J-102X	MG RESISTOR	1kΩ 1/16W J		CN813	QGF1205F1-15	CONNECTOR	FFC/FPC (1-15)	
R866	NRSA63J-103X	MG RESISTOR	10kΩ 1/16W J		EP401	E409182-001SM	GRAND TERMINAL		

△ Symbol No.	Part No.	Part Name	Description	Local	△ Symbol No.	Part No.	Part Name	Description	Local
EP402	E409182-001SM	GRAND TERMINAL			D909	SLA-362LT-T	LED		
FW211	QUM154-40DGZ4	FLAT WIRE			D910	SLA-362LT-T	LED		
FW401	QUM15A-12Z4Z4	FLAT WIRE			D911	SLA-362LT-T	LED		
FW402	QUM153-12Z4Z4	FLAT WIRE			D912	SLA-362LT-T	LED		
GND1	QUB220-13HPDT	FLAT WIRE			D913	SLR-342VC-T	LED		
GND2	QUB220-09HPDT	SINGLE WIRE							
J910	QNS0235-001	PHONE JACK			C600	QTE1V06-106Z	E CAPACITOR	10uF 35V	
J1001	QNS0204-001	PHONE JACK			C601	QCBB1HK-221Y	C CAPACITOR	220pF 50V K	
S900	QSW0825-001Z	TACT SW			C602	QCBB1HK-221Y	C CAPACITOR	220pF 50V K	
S901	QSW0825-001Z	TACT SW			C603	QCBB1HK-221Y	C CAPACITOR	220pF 50V K	
S902	QSW0825-001Z	TACT SW			C604	QTE1V06-106Z	E CAPACITOR	10uF 35V	
S903	QSW0825-001Z	TACT SW			C605	QETN1HM-107Z	E CAPACITOR	100uF 50V M	
S904	QSW0825-001Z	TACT SW			C606	QETN1HM-106Z	E CAPACITOR	10uF 50V M	
S905	QSW0825-001Z	TACT SW			C607	QETN1HM-106Z	E CAPACITOR	10uF 50V M	
S906	QSW0825-001Z	TACT SW			C608	QETN1HM-107Z	E CAPACITOR	100uF 50V M	
S907	QSW0825-001Z	TACT SW			C609	QCBB1HK-221Y	C CAPACITOR	220pF 50V K	
SP01	LV30225-011A	SPACER			C610	QCSB1HJ-100Y	C CAPACITOR	10pF 50V J	
TW01	QUB230-10Z4Z4	FLAT WIRE			C611	QETN1JM-476Z	E CAPACITOR	47uF 63V M	
TW02	QUB230-10Z4Z4	FLAT WIRE			C612	QFLC1HJ-473Z	M CAPACITOR	0.047uF 50V J	
X801	QAX0724-001Z	CRYSTAL	12.000000MHz		C613	QFLC1HJ-473Z	M CAPACITOR	0.047uF 50V J	
					C614	FQCF31HZ-223Z	D.CAPACITOR		
					C615	QETN1JM-476Z	E CAPACITOR	47uF 63V M	
					C616	QCSB1HJ-100Y	C CAPACITOR	10pF 50V J	
					C617	QFLC1HJ-473Z	M CAPACITOR	0.047uF 50V J	
					C618	QFLC1HJ-473Z	M CAPACITOR	0.047uF 50V J	
					C619	FQCF31HZ-223Z	D.CAPACITOR		
					C620	QFLC1HJ-823Z	M CAPACITOR	0.082uF 50V J	
					C621	QETN1HM-224Z	E CAPACITOR	0.22uF 50V M	
					C622	QETN1HM-105Z	E CAPACITOR	1uF 50V M	
					C660	QETN1HM-106Z	E CAPACITOR	10uF 50V M	
					C661	QETN1HM-106Z	E CAPACITOR	10uF 50V M	
					C670	QETN1HM-106Z	E CAPACITOR	10uF 50V M	
					C671	QETN1AM-227Z	E CAPACITOR	220uF 10V M	
					C700	QCBB1HK-221Y	C CAPACITOR	220pF 50V K	
					C701	QCBB1HK-221Y	C CAPACITOR	220pF 50V K	
					C702	QTE1V06-106Z	E CAPACITOR	10uF 35V	
					C703	QTE1V06-106Z	E CAPACITOR	10uF 35V	
					C704	QCBB1HK-471Y	C CAPACITOR	470pF 50V K	
					C705	QFZ0212-104Z	M CAPACITOR	0.1uF	
					C706	QFZ0212-104Z	M CAPACITOR	0.1uF	
					C707	QETN1CM-107Z	E CAPACITOR	100uF 16V M	
					C708	QCSB1HK-4R7Y	C CAPACITOR	4.7pF 50V K	
					C709	QCSB1HK-4R7Y	C CAPACITOR	4.7pF 50V K	
					C710	FQCF31HZ-223Z	D.CAPACITOR		
					C711	FQCF31HZ-223Z	D.CAPACITOR		
					C712	QETN1JM-476Z	E CAPACITOR	47uF 63V M	
					C713	QETN1JM-476Z	E CAPACITOR	47uF 63V M	
					C714	QFLC1HJ-473Z	M CAPACITOR	0.047uF 50V J	
					C715	QFLC1HJ-473Z	M CAPACITOR	0.047uF 50V J	
					C716	QFLC1HJ-473Z	M CAPACITOR	0.047uF 50V J	
					C717	QFLC1HJ-473Z	M CAPACITOR	0.047uF 50V J	
					C718	QETN1HM-105Z	E CAPACITOR	1uF 50V M	
					C719	QETN1HM-106Z	E CAPACITOR	10uF 50V M	
					C750	QETN1HM-106Z	E CAPACITOR	10uF 50V M	
					C751	QETN1CM-227Z	E CAPACITOR	220uF 16V M	
					C760	QETN1HM-106Z	E CAPACITOR	10uF 50V M	
					C761	QETN1HM-106Z	E CAPACITOR	10uF 50V M	
					C931	QEK1HM-226Z	E CAPACITOR	22uF 50V M	
					C932	QEK1HM-226Z	E CAPACITOR	22uF 50V M	
					C935	QDYB1CM-103Y	C CAPACITOR	0.01uF 16V M	
					C936	QDYB1CM-103Y	C CAPACITOR	0.01uF 16V M	
					C937	QDYB1CM-103Y	C CAPACITOR	0.01uF 16V M	
					C938	QDYB1CM-103Y	C CAPACITOR	0.01uF 16V M	
					C939	QDYB1CM-103Y	C CAPACITOR	0.01uF 16V M	
					C940	QDYB1CM-103Y	C CAPACITOR	0.01uF 16V M	
					C941	QEK0JM-107Z	E CAPACITOR	100uF 6.3V M	
					C942	QEK1HM-106Z	E CAPACITOR	10uF 50V M	
					C943	QEK1HM-106Z	E CAPACITOR	10uF 50V M	
					R600	QRE141J-102Y	C RESISTOR	1kΩ 1/4W J	
					R601	QRE141J-473Y	C RESISTOR	47kΩ 1/4W J	
					R602	QRE141J-473Y	C RESISTOR	47kΩ 1/4W J	
					R603	QRE141J-102Y	C RESISTOR	1kΩ 1/4W J	
					△ R604	QRT01DJ-R22X	MF RESISTOR	0.22Ω 1W J	
					△ R605	QRT01DJ-R22X	MF RESISTOR	0.22Ω 1W J	
					△ R606	QRT01DJ-R22X	MF RESISTOR	0.22Ω 1W J	
					△ R607	QRT01DJ-R22X	MF RESISTOR	0.22Ω 1W J	
					R608	QRE141J-333Y	C RESISTOR	33kΩ 1/4W J	

Front board

Block No. [0][3][0][0]

△ Symbol No.	Part No.	Part Name	Description	Local
△ IC600	STK432-070	IC		
△ IC660	KIA7805API	IC		
△ IC670	KIA7805API	IC		
△ IC700	STK412-430	POWER I.C		
△ IC750	KIA7808API	IC		
△ IC760	KIA7809API	IC		
IC954	PT6305	FL DRIVER		
IC955	SN74HCU04N	FL DRIVER		
Q600	KRC102M-T	DIGI TRANSISTOR		
Q601	KTA1267/YG/-T	TRANSISTOR		
Q602	KTC3199/GL/-T	TRANSISTOR		
Q603	KTC3199/GL/-T	TRANSISTOR		
Q604	2SK301/PQ/-T	TRANSISTOR		
Q700	KTC1027/OY/-T	TRANSISTOR		
Q701	KTA1023/OY/-T	TRANSISTOR		
Q702	KTC3200/GL/-T	TRANSISTOR		
Q703	KTA1268/GL/-T	TRANSISTOR		
Q704	KTC3199/GL/-T	TRANSISTOR		
Q705	KTC3199/GL/-T	TRANSISTOR		
Q706	KTA1267/YG/-T	TRANSISTOR		
Q904	KRC102M-T	DIGI TRANSISTOR		
Q905	KRC102M-T	DIGI TRANSISTOR		
Q906	KRC102M-T	DIGI TRANSISTOR		
Q907	KRC102M-T	DIGI TRANSISTOR		
Q908	KRC102M-T	DIGI TRANSISTOR		
Q950	KTC3199/GL/-T	TRANSISTOR		
Q951	KTC3199/GL/-T	TRANSISTOR		
Q952	KRA102M-T	DIGI TRANSISTOR		
D600	MTZJ9.1B-T2	Z DIODE		
D601	1SS133-T2	DIODE		
D602	1SS133-T2	DIODE		
D603	MTZJ2.4B-T2	Z DIODE		
D660	MTZJ8.2C-T2	Z DIODE		
D661	1SS133-T2	DIODE		
D670	1SS133-T2	DIODE		
D671	MTZJ6.8C-T2	Z DIODE		
D700	MTZJ36B-T2	Z DIODE		
D701	MTZJ36B-T2	Z DIODE		
D702	MTZJ15B-T2	Z DIODE		
D703	MTZJ15B-T2	Z DIODE		
D704	1SS133-T2	DIODE		
D705	1SS133-T2	DIODE		
D706	1SS133-T2	DIODE		
D750	MTZJ10B-T2	Z DIODE		
D760	MTZJ10B-T2	Z DIODE		
D908	SLA-362LT-T	LED		

△ Symbol No.	Part No.	Part Name	Description	Local	△ Symbol No.	Part No.	Part Name	Description	Local
△ R609	QRJ146J-101X	UNF C RESISTOR	100Ω 1/4W J		R952	QRE141J-221Y	C RESISTOR	220Ω 1/4W J	
△ R610	QRJ146J-101X	UNF C RESISTOR	100Ω 1/4W J		R953	QRE141J-221Y	C RESISTOR	220Ω 1/4W J	
△ R611	QRJ146J-100X	UNF C RESISTOR	10Ω 1/4W J		R954	QRE141J-221Y	C RESISTOR	220Ω 1/4W J	
R612	QRE141J-103Y	C RESISTOR	10kΩ 1/4W J		R955	QRE141J-221Y	C RESISTOR	220Ω 1/4W J	
R613	QRE141J-103Y	C RESISTOR	10kΩ 1/4W J		R956	QRE141J-101Y	C RESISTOR	100Ω 1/4W J	
R614	QRE141J-221Y	C RESISTOR	220Ω 1/4W J		R957	QRE141J-101Y	C RESISTOR	100Ω 1/4W J	
R615	QRE141J-563Y	C RESISTOR	56kΩ 1/4W J		R958	QRE141J-121Y	C RESISTOR	120Ω 1/4W J	
△ R616	QRJ146J-100X	UNF C RESISTOR	10Ω 1/4W J		R959	QRE141J-151Y	C RESISTOR	150Ω 1/4W J	
△ R617	QRJ146J-100X	UNF C RESISTOR	10Ω 1/4W J		R960	QRE141J-221Y	C RESISTOR	220Ω 1/4W J	
R618	QRE141J-105Y	C RESISTOR	1MΩ 1/4W J		R961	QRE141J-271Y	C RESISTOR	270Ω 1/4W J	
R619	QRE141J-392Y	C RESISTOR	3.9kΩ 1/4W J		R962	QRE141J-391Y	C RESISTOR	390Ω 1/4W J	
△ R620	QRJ146J-122X	UNF C RESISTOR	1.2kΩ 1/4W J		R963	QRE141J-561Y	C RESISTOR	560Ω 1/4W J	
R621	QRE141J-475Y	C RESISTOR	4.7MΩ 1/4W J		R964	QRE141J-102Y	C RESISTOR	1kΩ 1/4W J	
R622	QRE141J-473Y	C RESISTOR	47kΩ 1/4W J		R965	QRE141J-182Y	C RESISTOR	1.8kΩ 1/4W J	
R623	QRE141J-153Y	C RESISTOR	15kΩ 1/4W J		R967	QRE141J-101Y	C RESISTOR	100Ω 1/4W J	
R624	QRE141J-473Y	C RESISTOR	47kΩ 1/4W J		R968	QRE141J-101Y	C RESISTOR	100Ω 1/4W J	
R625	QRE141J-222Y	C RESISTOR	2.2kΩ 1/4W J		R969	QRE141J-121Y	C RESISTOR	120Ω 1/4W J	
R626	QRE141J-563Y	C RESISTOR	56kΩ 1/4W J		R970	QRE141J-151Y	C RESISTOR	150Ω 1/4W J	
△ R627	QRJ146J-122X	UNF C RESISTOR	1.2kΩ 1/4W J		R971	QRE141J-221Y	C RESISTOR	220Ω 1/4W J	
△ R628	QRJ146J-100X	UNF C RESISTOR	10Ω 1/4W J		R972	QRE141J-271Y	C RESISTOR	270Ω 1/4W J	
△ R629	QRJ146J-100X	UNF C RESISTOR	10Ω 1/4W J		R973	QRE141J-391Y	C RESISTOR	390Ω 1/4W J	
R630	QRE141J-221Y	C RESISTOR	220Ω 1/4W J		R974	QRE141J-561Y	C RESISTOR	560Ω 1/4W J	
R631	QRE141J-473Y	C RESISTOR	47kΩ 1/4W J		R975	QRE141J-102Y	C RESISTOR	1kΩ 1/4W J	
R632	QRE141J-222Y	C RESISTOR	2.2kΩ 1/4W J		R976	QRE141J-182Y	C RESISTOR	1.8kΩ 1/4W J	
R633	QRE141J-823Y	C RESISTOR	82kΩ 1/4W J		R978	QRE141J-221Y	C RESISTOR	220Ω 1/4W J	
R634	QRE141J-104Y	C RESISTOR	100kΩ 1/4W J		R980	QRE141J-101Y	C RESISTOR	100Ω 1/4W J	
R635	QRE141J-103Y	C RESISTOR	10kΩ 1/4W J		R982	QRE141J-104Y	C RESISTOR	100kΩ 1/4W J	
R636	QRE141J-203Y	C RESISTOR	20kΩ 1/4W J		R983	QRE141J-104Y	C RESISTOR	100kΩ 1/4W J	
R661	QRE141J-102Y	C RESISTOR	1kΩ 1/4W J		R995	QRE141J-104Y	C RESISTOR	100kΩ 1/4W J	
R671	QRE141J-102Y	C RESISTOR	1kΩ 1/4W J		R996	QRE141J-104Y	C RESISTOR	100kΩ 1/4W J	
R700	QRE141J-103Y	C RESISTOR	10kΩ 1/4W J		R997	QRE141J-101Y	C RESISTOR	100Ω 1/4W J	
R701	QRE141J-103Y	C RESISTOR	10kΩ 1/4W J		L601	QQLZ035-R39	COIL	0.39uH	
R702	QRE141J-103Y	C RESISTOR	10kΩ 1/4W J		L602	QQLZ035-R39	COIL	0.39uH	
R703	QRE141J-103Y	C RESISTOR	10kΩ 1/4W J		L701	QQLZ035-R39	COIL	0.39uH	
△ R704	QRJ146J-100X	UNF C RESISTOR	10Ω 1/4W J		L702	QQLZ035-R39	COIL	0.39uH	
△ R705	QRZ0224-R22	EMIT RESISTOR	0.22Ω		BZ900	QAN0055-001	BUZZER		
△ R706	QRZ0224-R22	EMIT RESISTOR	0.22Ω		CN511	QGB2510J1-16	CONNECTOR	B-B (1-16)	
R707	QRE141J-333Y	C RESISTOR	33kΩ 1/4W J		CN600	QGB2510K1-11	CONNECTOR	B-B (1-11)	
R708	QRE141J-563Y	C RESISTOR	56kΩ 1/4W J		CN610	QGB2510J1-11	CONNECTOR	B-B (1-11)	
R709	QRE141J-563Y	C RESISTOR	56kΩ 1/4W J		CN700	QGB2510K1-10	CONNECTOR	B-B (1-10)	
R710	QRE141J-102Y	C RESISTOR	1kΩ 1/4W J		CN710	QGB2510J1-10	CONNECTOR	B-B (1-10)	
R711	QRE141J-103Y	C RESISTOR	10kΩ 1/4W J		CN812	QGF1210G1-23	CONNECTOR	FFC/FPC (1-23)	
R712	QRE141J-103Y	C RESISTOR	10kΩ 1/4W J		CN902	QGF1210G1-18	CONNECTOR	FFC/FPC (1-18)	
R713	QRE141J-103Y	C RESISTOR	10kΩ 1/4W J		CN912	QGF1205F1-18	CONNECTOR	FFC/FPC (1-18)	
R714	QRE141J-103Y	C RESISTOR	10kΩ 1/4W J		FL900	QLF0133-001	FL TUBE		
R715	QRE141J-104Y	C RESISTOR	100kΩ 1/4W J		FL901	GV30530-001A	FL HOLDER		
R716	QRE141J-222Y	C RESISTOR	2.2kΩ 1/4W J		FW215	QUM153-09DGZ4	FLAT WIRE		
R717	QRE141J-102Y	C RESISTOR	1kΩ 1/4W J		FW216	QJK008-101814	FLAT WIRE		
R718	QRE141J-102Y	C RESISTOR	1kΩ 1/4W J		FW218	QJK008-111814	FLAT WIRE		
R719	QRE141J-102Y	C RESISTOR	1kΩ 1/4W J		FW901	QUM153-10Z4Z4	FLAT WIRE		
R720	QRE141J-102Y	C RESISTOR	1kΩ 1/4W J		FW902	QUM152-10Z4Z4	FLAT WIRE		
R721	QRE141J-473Y	C RESISTOR	47kΩ 1/4W J		JS958	QSW1057-001	ROTARY SW		
R722	QRE141J-473Y	C RESISTOR	47kΩ 1/4W J		JS960	QSW1056-001	ROTARY SW		
R723	QRE141J-562Y	C RESISTOR	5.6kΩ 1/4W J		JS962	QSW0857-001	ROTARY SW		
R724	QRE141J-562Y	C RESISTOR	5.6kΩ 1/4W J		S908	QSW0825-001Z	TACT SW		
△ R725	QRJ146J-100X	UNF C RESISTOR	10Ω 1/4W J		S909	QSW0825-001Z	TACT SW		
△ R726	QRJ146J-100X	UNF C RESISTOR	10Ω 1/4W J		S910	QSW0825-001Z	TACT SW		
△ R727	QRJ146J-100X	UNF C RESISTOR	10Ω 1/4W J		S911	QSW0825-001Z	TACT SW		
△ R728	QRJ146J-100X	UNF C RESISTOR	10Ω 1/4W J		S912	QSW0825-001Z	TACT SW		
R729	QRE141J-563Y	C RESISTOR	56kΩ 1/4W J		S913	QSW0825-001Z	TACT SW		
R730	QRE141J-563Y	C RESISTOR	56kΩ 1/4W J		S914	QSW0825-001Z	TACT SW		
△ R731	QRJ146J-821X	UNF C RESISTOR	820Ω 1/4W J		S915	QSW0825-001Z	TACT SW		
△ R732	QRJ146J-821X	UNF C RESISTOR	820Ω 1/4W J		S916	QSW0825-001Z	TACT SW		
△ R733	QRJ146J-470X	UNF C RESISTOR	47Ω 1/4W J		S917	QSW0825-001Z	TACT SW		
△ R734	QRJ146J-470X	UNF C RESISTOR	47Ω 1/4W J		S918	QSW0825-001Z	TACT SW		
R735	QRE141J-103Y	C RESISTOR	10kΩ 1/4W J		S919	QSW0825-001Z	TACT SW		
R736	QRE141J-823Y	C RESISTOR	82kΩ 1/4W J		S920	QSW0825-001Z	TACT SW		
R737	QRE141J-104Y	C RESISTOR	100kΩ 1/4W J		S921	QSW0825-001Z	TACT SW		
R738	QRE141J-104Y	C RESISTOR	100kΩ 1/4W J		S922	QSW0825-001Z	TACT SW		
△ R750	QRK126J-2R2X	UNF C RESISTOR	2.2Ω 1/2W J		S923	QSW0825-001Z	TACT SW		
△ R751	QRJ146J-1R0X	UNF C RESISTOR	1Ω 1/4W J		S924	QSW0825-001Z	TACT SW		
△ R760	ERX12SJR33E	UNF C RESISTOR	2.2Ω 1/4W J		S925	QSW0825-001Z	TACT SW		
△ R761	QRJ146J-2R2X	UNF C RESISTOR	2.2Ω 1/4W J		S926	QSW0825-001Z	TACT SW		
R946	QRE141J-102Y	C RESISTOR	1kΩ 1/4W J		S927	QSW0825-001Z	TACT SW		
R947	QRE141J-102Y	C RESISTOR	1kΩ 1/4W J		S928	QSW0825-001Z	TACT SW		
R948	QRE141J-102Y	C RESISTOR	1kΩ 1/4W J		S929	QSW0825-001Z	TACT SW		
R950	QRE141J-102Y	C RESISTOR	1kΩ 1/4W J						
R951	QRE141J-221Y	C RESISTOR	220Ω 1/4W J						

△ Symbol No.	Part No.	Part Name	Description	Local
SP900	VYH7653-001	IC HOLDER		
SP902	E3400-439	SPECER		
SP903	E3400-439	SPECER		

CD servo board

Block No. [0][4][0][0]

△ Symbol No.	Part No.	Part Name	Description	Local
IC201	BR24L08FV-W-X	IC		
IC251	MN101C61GMB3	IC		
IC601	AN22002A-W	IC		
IC651	MN6627911AC1	IC		
IC671	A42L2604V-45L	IC		
IC681	SN74AHC1G32DC-X	IC		
IC682	SN74LV08APW-X	IC		
IC691	XC6206P182M-X	IC		
IC801	AN4801SB-W	IC		
Q291	2SB1424/QR/-W	TRANSISTOR		
Q631	2SA1037AK/RS/-X	TRANSISTOR		
C201	NCB31CK-104X	C CAPACITOR	0.1uF 16V K	
C251	NCB31CK-104X	C CAPACITOR	0.1uF 16V K	
C252	QEKJ0JM-476Z	E CAPACITOR	47uF 6.3V M	
C253	NCB31CK-104X	C CAPACITOR	0.1uF 16V K	
C255	NCB31CK-104X	C CAPACITOR	0.1uF 16V K	
C258	NCB31CK-103X	C CAPACITOR	0.01uF 16V K	
C259	NDC31HJ-101X	C CAPACITOR	100pF 50V J	
C291	QEKJ0JM-476Z	E CAPACITOR	47uF 6.3V M	
C603	NCB31CK-104X	C CAPACITOR	0.1uF 16V K	
C604	NCB31CK-104X	C CAPACITOR	0.1uF 16V K	
C605	NDC31HJ-331X	C CAPACITOR	330pF 50V J	
C606	NDC31HJ-151X	C CAPACITOR	150pF 50V J	
C610	NCB31CK-563X	C CAPACITOR	0.056uF 16V K	
C611	NCB31CK-104X	C CAPACITOR	0.1uF 16V K	
C612	NCB31CK-104X	C CAPACITOR	0.1uF 16V K	
C614	NCB31CK-393X	C CAPACITOR	0.039uF 16V K	
C615	NCB31HK-272X	C CAPACITOR	2700pF 50V K	
C616	NCB31HK-182X	C CAPACITOR	1800pF 50V K	
C621	NCB31CK-104X	C CAPACITOR	0.1uF 16V K	
C622	QEKJ1AM-107Z	E CAPACITOR	100uF 10V M	
C623	NCB31CK-104X	C CAPACITOR	0.1uF 16V K	
C624	QEKJ1AM-107Z	E CAPACITOR	100uF 10V M	
C631	QEKJ1CM-106Z	E CAPACITOR	10uF 16V M	
C632	NCB31CK-104X	C CAPACITOR	0.1uF 16V K	
C633	NCB31EK-223X	C CAPACITOR	0.022uF 25V K	
C641	NDC31HJ-101X	C CAPACITOR	100pF 50V J	
C651	QEKJ1AM-107Z	E CAPACITOR	100uF 10V M	
C652	NCB31CK-104X	C CAPACITOR	0.1uF 16V K	
C653	NCB31CK-104X	C CAPACITOR	0.1uF 16V K	
C654	NCB31CK-104X	C CAPACITOR	0.1uF 16V K	
C655	NCB31CK-104X	C CAPACITOR	0.1uF 16V K	
C656	NCB31CK-104X	C CAPACITOR	0.1uF 16V K	
C657	NDC31HJ-471X	C CAPACITOR	470pF 50V J	
C658	NCB31CK-104X	C CAPACITOR	0.1uF 16V K	
C659	NCB31EK-223X	C CAPACITOR	0.022uF 25V K	
C661	NCB31HK-102X	C CAPACITOR	1000pF 50V K	
C662	NCB21CK-124X	C CAPACITOR	0.12uF 16V K	
C663	NCB31CK-104X	C CAPACITOR	0.1uF 16V K	
C664	QEKJ1AM-107Z	E CAPACITOR	100uF 10V M	
C665	NCB31CK-104X	C CAPACITOR	0.1uF 16V K	
C666	QEKJ1AM-107Z	E CAPACITOR	100uF 10V M	
C667	NCB31CK-104X	C CAPACITOR	0.1uF 16V K	
C669	NCB31HK-272X	C CAPACITOR	2700pF 50V K	
C672	NCB31HK-272X	C CAPACITOR	2700pF 50V K	
C673	NCB31CK-104X	C CAPACITOR	0.1uF 16V K	
C674	NCB31CK-104X	C CAPACITOR	0.1uF 16V K	
C675	NDC31HJ-100X	C CAPACITOR	10pF 50V J	
C676	NDC31HJ-100X	C CAPACITOR	10pF 50V J	
C677	NCB31CK-104X	C CAPACITOR	0.1uF 16V K	
C678	QEKJ1AM-107Z	E CAPACITOR	100uF 10V M	
C679	NCB21CK-105X	C CAPACITOR	1uF 16V K	
C681	NCB21CK-105X	C CAPACITOR	1uF 16V K	

△ Symbol No.	Part No.	Part Name	Description	Local
C801	QERF1AM-227Z	E CAPACITOR	220uF 10V M	
C802	NCB31CK-104X	C CAPACITOR	0.1uF 16V K	
C803	NCB31AK-474X	C CAPACITOR	0.47uF 10V K	
C804	NCB31CK-103X	C CAPACITOR	0.01uF 16V K	
C805	NCB31HK-102X	C CAPACITOR	1000pF 50V K	
C806	NCB31HK-152X	C CAPACITOR	1500pF 50V K	

R253	NRSA63J-103X	MG RESISTOR	10kΩ 1/16W J	
R255	NRSA63J-102X	MG RESISTOR	1kΩ 1/16W J	
R256	NRSA63J-102X	MG RESISTOR	1kΩ 1/16W J	
R257	NRSA63J-0R0X	MG RESISTOR	0Ω 1/16W J	
R258	NRSA63J-102X	MG RESISTOR	1kΩ 1/16W J	
R259	NRSA63J-103X	MG RESISTOR	10kΩ 1/16W J	
R261	NRSA63J-102X	MG RESISTOR	1kΩ 1/16W J	
R262	NRSA63J-102X	MG RESISTOR	1kΩ 1/16W J	
R263	NRSA63J-102X	MG RESISTOR	1kΩ 1/16W J	
R264	NRSA63J-102X	MG RESISTOR	1kΩ 1/16W J	
R265	NRSA63J-103X	MG RESISTOR	10kΩ 1/16W J	
R267	NRSA63J-102X	MG RESISTOR	1kΩ 1/16W J	
R271	NRSA63J-102X	MG RESISTOR	1kΩ 1/16W J	
R274	NRSA63J-102X	MG RESISTOR	1kΩ 1/16W J	
R278	NRSA63J-102X	MG RESISTOR	1kΩ 1/16W J	
R281	NRSA63J-102X	MG RESISTOR	1kΩ 1/16W J	
R282	NRSA63J-102X	MG RESISTOR	1kΩ 1/16W J	
R283	NRSA63J-102X	MG RESISTOR	1kΩ 1/16W J	
R284	NRSA63J-102X	MG RESISTOR	1kΩ 1/16W J	
R285	NRSA63J-102X	MG RESISTOR	1kΩ 1/16W J	
R286	NRSA63J-102X	MG RESISTOR	1kΩ 1/16W J	
R287	NRSA63J-102X	MG RESISTOR	1kΩ 1/16W J	
R288	NRSA63J-102X	MG RESISTOR	1kΩ 1/16W J	
R289	NRSA63J-102X	MG RESISTOR	1kΩ 1/16W J	
R290	NRSA63J-102X	MG RESISTOR	1kΩ 1/16W J	
R291	NRSA63J-102X	MG RESISTOR	1kΩ 1/16W J	
R292	NRSA63J-102X	MG RESISTOR	1kΩ 1/16W J	
R293	NRSA63J-473X	MG RESISTOR	47kΩ 1/16W J	
R294	NRSA63J-473X	MG RESISTOR	47kΩ 1/16W J	
R295	NRSA63J-473X	MG RESISTOR	47kΩ 1/16W J	
R296	NRSA63J-103X	MG RESISTOR	10kΩ 1/16W J	
R297	NRSA63J-122X	MG RESISTOR	1.2kΩ 1/16W J	
R298	NRSA63J-103X	MG RESISTOR	10kΩ 1/16W J	
R601	NRSA63J-562X	MG RESISTOR	5.6kΩ 1/16W J	
R602	NRSA63J-392X	MG RESISTOR	3.9kΩ 1/16W J	
R603	NRSA63J-333X	MG RESISTOR	33kΩ 1/16W J	
R604	NRSA63J-104X	MG RESISTOR	100kΩ 1/16W J	
R605	NRSA63J-0R0X	MG RESISTOR	0Ω 1/16W J	
R606	NRSA63J-0R0X	MG RESISTOR	0Ω 1/16W J	
R607	NRSA63J-223X	MG RESISTOR	22kΩ 1/16W J	
R608	NRSA63J-223X	MG RESISTOR	22kΩ 1/16W J	
R611	NRSA63J-392X	MG RESISTOR	3.9kΩ 1/16W J	
R613	NRSA63J-392X	MG RESISTOR	3.9kΩ 1/16W J	
R617	NRSA63J-122X	MG RESISTOR	1.2kΩ 1/16W J	
R621	NRSA63J-0R0X	MG RESISTOR	0Ω 1/16W J	
R622	NRSA63J-0R0X	MG RESISTOR	0Ω 1/16W J	
R624	NRSA63J-0R0X	MG RESISTOR	0Ω 1/16W J	
R625	NRSA63J-0R0X	MG RESISTOR	0Ω 1/16W J	
R631	NRSA63J-0R0X	MG RESISTOR	0Ω 1/16W J	
R632	NRSA63J-3R9X	MG RESISTOR	3.9Ω 1/16W J	
R634	NRSA63J-3R9X	MG RESISTOR	3.9Ω 1/16W J	
R635	NRSA63J-100X	MG RESISTOR	10Ω 1/16W J	
R651	NRSA63J-473X	MG RESISTOR	47kΩ 1/16W J	
R652	NRSA63J-0R0X	MG RESISTOR	0Ω 1/16W J	
R653	NRSA63J-223X	MG RESISTOR	22kΩ 1/16W J	
R654	NRSA63J-823X	MG RESISTOR	82kΩ 1/16W J	
R655	NRSA63J-472X	MG RESISTOR	4.7kΩ 1/16W J	
R656	NRSA63J-104X	MG RESISTOR	100kΩ 1/16W J	
R657	NRSA63J-561X	MG RESISTOR	560Ω 1/16W J	
R658	NRSA63J-0R0X	MG RESISTOR	0Ω 1/16W J	
R659	NRSA63J-153X	MG RESISTOR	15kΩ 1/16W J	
R661	NRSA63J-153X	MG RESISTOR	15kΩ 1/16W J	
R662	NRSA02J-101X	MG RESISTOR	100Ω 1/10W J	
R663	NRSA63J-273X	MG RESISTOR	27kΩ 1/16W J	
R664	NRSA63J-0R0X	MG RESISTOR	0Ω 1/16W J	
R665	NRSA63J-681X	MG RESISTOR	680Ω 1/16W J	
R666	NRSA63J-561X	MG RESISTOR	560Ω 1/16W J	
R667	NRSA63J-681X	MG RESISTOR	680Ω 1/16W J	
R668	NRSA63J-561X	MG RESISTOR	560Ω 1/16W J	
R669	NRSA63J-102X	MG RESISTOR	1kΩ 1/16W J	
R671	NRSA63J-333X	MG RESISTOR	33kΩ 1/16W J	

△ Symbol No.	Part No.	Part Name	Description	Local
R672	NRSA63J-102X	MG RESISTOR	1kΩ 1/16W J	
R673	NRSA63J-102X	MG RESISTOR	1kΩ 1/16W J	
R674	NRSA63J-102X	MG RESISTOR	1kΩ 1/16W J	
R675	NRSA63J-102X	MG RESISTOR	1kΩ 1/16W J	
R676	NRSA63J-0R0X	MG RESISTOR	0Ω 1/16W J	
R677	NRSA63J-0R0X	MG RESISTOR	0Ω 1/16W J	
R678	NRSA63J-0R0X	MG RESISTOR	0Ω 1/16W J	
R679	NRSA63J-0R0X	MG RESISTOR	0Ω 1/16W J	
R681	NRSA63J-103X	MG RESISTOR	10kΩ 1/16W J	
R682	NRSA63J-101X	MG RESISTOR	100Ω 1/16W J	
R801	NRSA63J-472X	MG RESISTOR	4.7kΩ 1/16W J	
R802	NRSA63J-222X	MG RESISTOR	2.2kΩ 1/16W J	
R803	NRSA63J-562X	MG RESISTOR	5.6kΩ 1/16W J	
R805	NRSA63J-472X	MG RESISTOR	4.7kΩ 1/16W J	
R806	NRSA63J-332X	MG RESISTOR	3.3kΩ 1/16W J	
R807	NRSA63J-562X	MG RESISTOR	5.6kΩ 1/16W J	
R809	NRSA63J-223X	MG RESISTOR	22kΩ 1/16W J	
R811	NRSA63J-153X	MG RESISTOR	15kΩ 1/16W J	
R812	NRSA63J-562X	MG RESISTOR	5.6kΩ 1/16W J	
R814	NRSA63J-183X	MG RESISTOR	18kΩ 1/16W J	
R815	NRSA63J-153X	MG RESISTOR	15kΩ 1/16W J	
R816	NRSA63J-562X	MG RESISTOR	5.6kΩ 1/16W J	
R818	NRSA63J-223X	MG RESISTOR	22kΩ 1/16W J	
CN251	QGF1036F1-15	CONNECTOR	FFC/FPC (1-15)	
CN252	QGA2001F1-02	CONNECTOR	W-B (1-2)	
CN253	QGA2001F1-03	CONNECTOR	W-B (1-3)	
CN601	QGF1006F2-16W	CONNECTOR	FFC/FPC (1-16)	
CN602	QGA2001F1-06	CONNECTOR	W-B (1-6)	
CN651	QGF1036F1-17	CONNECTOR	FFC/FPC (1-17)	
K654	NQR0007-002X	FERRITE BEADS		
X251	QAX0684-001Z	C RESONATOR	8.38MHz	
X651	NAX0476-001X	CRYSTAL	33.8688MHz	

Loading switch board

Block No. [0][5][0][0]

△ Symbol No.	Part No.	Part Name	Description	Local
IC1	LB1641	IC		
IC2	LB1641	IC		
D1	MTZJ6.2A-T2	Z DIODE		
C1	QEKC1AM-107Z	E CAPACITOR	100uF 10V M	
C2	QCFB1HZ-104Y	C CAPACITOR	0.1uF 50V Z	
C3	QFLC1HJ-103Z	M CAPACITOR	0.01uF 50V J	
C5	QFLC1HJ-103Z	M CAPACITOR	0.01uF 50V J	
C6	QCFB1HZ-104Y	C CAPACITOR	0.1uF 50V Z	
C7	QCFB1HZ-104Y	C CAPACITOR	0.1uF 50V Z	
CN1	QGF1036F1-15	CONNECTOR	FFC/FPC (1-15)	
CN2	QGB1214J1-08S	CONNECTOR	B-B (1-8)	
CN3	QGB1214K1-08S	CONNECTOR	B-B (1-8)	
SW1	QSW0844-001	PUSH SWITCH		
SW2	QSW0844-001	PUSH SWITCH		
SW3	QSW0844-001	PUSH SWITCH		
SW4	QSW0844-001	PUSH SWITCH		
SW5	QSW0844-001	PUSH SWITCH		
SW6	QSW0854-002	PUSH SW		
SW7	QSW0886-002	DETECT SWITCH		
SW8	QSW0886-002	DETECT SWITCH		

Cassette switch board

Block No. [0][6][0][0]

△ Symbol No.	Part No.	Part Name	Description	Local
IC1	SG-105F3-BB,C	PHOTO SENSER		

△ Symbol No.	Part No.	Part Name	Description	Local
D1	1SR139-400-T2	SI DIODE		
R371	QRE141J-123Y	C RESISTOR	12kΩ 1/4W J	
VR37	QVP0077-103Z	TRIM RESISTOR	10kΩ	
CN1	QGF1205F1-09	CONNECTOR	FFC/FPC (1-9)	
FW100	QUM024-07A2Z3	PARA RIBON WIRE		
P1	QNZ0104-001	POST PIN		
SW1	QSW0832-001	CASS.SWITCH		
SW2	QSW0832-001	CASS.SWITCH		
SW5	QSW0832-001	CASS.SWITCH		
SW6	QSW0859-001	DETECT SWITCH		

Head amplifier board

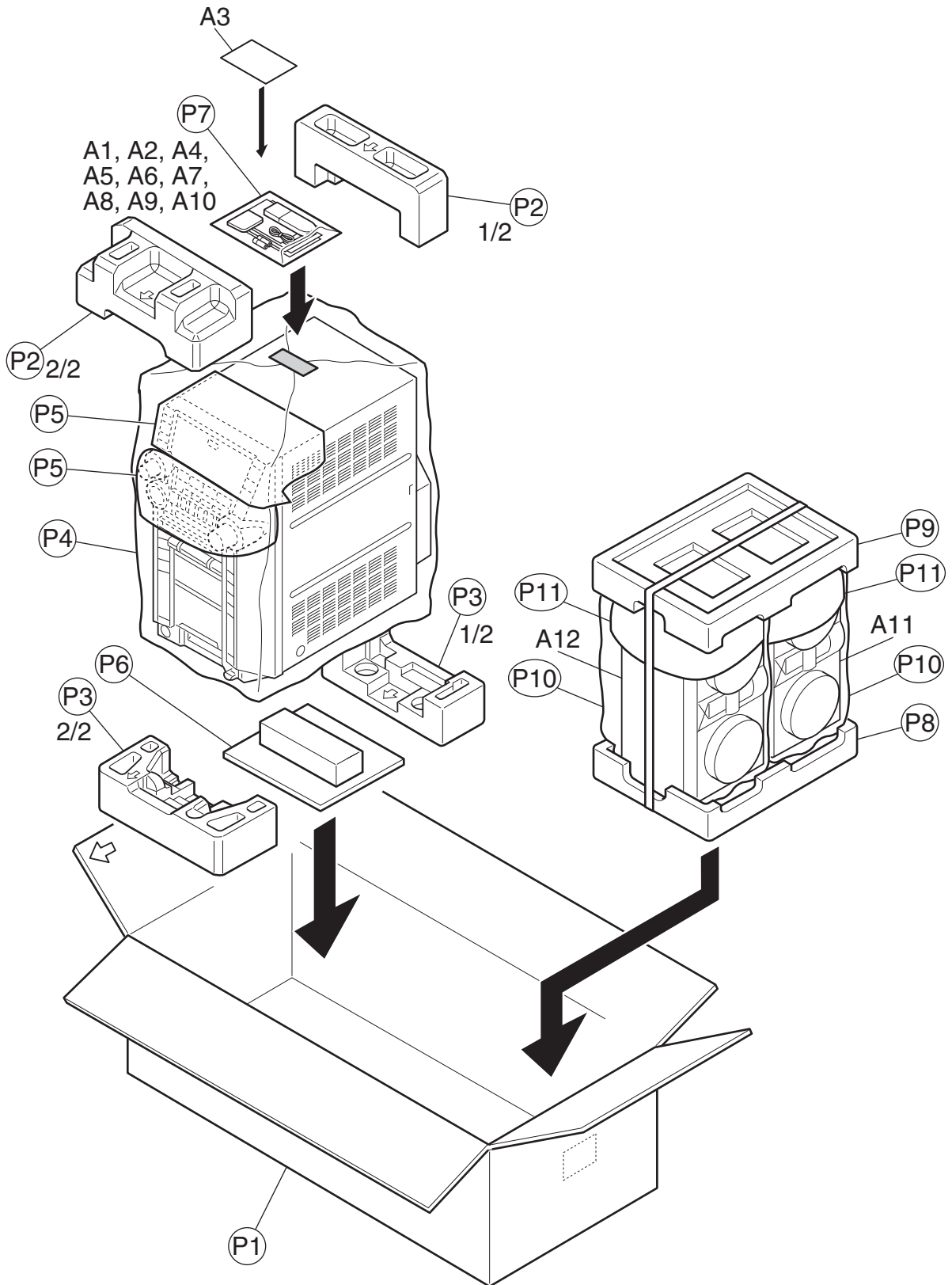
Block No. [0][7][0][0]

△ Symbol No.	Part No.	Part Name	Description	Local
IC32	HA12238F	IC	R/P Equalizer	
IC33	CD4094BC	IC	Serial to parallel port extension	
Q302	2SC2001/K-T	TRANSISTOR		
Q305	2SC2001/K-T	TRANSISTOR		
Q342	KRA111M-T	DIGI TRANSISTOR		
Q343	2SC3576-JVC-T	TRANSISTOR		
Q344	2SC3576-JVC-T	TRANSISTOR		
Q345	2SC3576-JVC-T	TRANSISTOR		
Q346	2SC3576-JVC-T	TRANSISTOR		
Q347	KRC107M-T	DIGI TRANSISTOR		
Q371	KTA1271/OY-T	TRANSISTOR		
Q372	KRC107M-T	DIGI TRANSISTOR		
Q375	2SB562/C-T	TRANSISTOR		
Q376	KTC3199/GL-T	TRANSISTOR		
D340	MTZJ5.1B-T2	Z DIODE		
D375	MTZJ5.1B-T2	Z DIODE		
C101	QDGB1HK-821Y	C CAPACITOR	820pF 50V K	
C102	QDYB1CM-103Y	C CAPACITOR	0.01uF 16V M	
C103	QFLA1HJ-104Z	M CAPACITOR	0.1uF 50V J	
C104	QCBB1HK-221Y	C CAPACITOR	220pF 50V K	
C105	QCBB1HK-391Y	C CAPACITOR	390pF 50V K	
C106	QERF1HM-225Z	E CAPACITOR	2.2uF 50V M	
C107	QCBB1HK-271Y	C CAPACITOR	270pF 50V K	
C109	QEKJ1EM-475Z	E CAPACITOR	4.7uF 25V M	
C110	QDYB1CM-682Y	C CAPACITOR	6800pF 16V M	
C113	QFLA1HJ-104Z	M CAPACITOR	0.1uF 50V J	
C120	QCSB1HK-4R7Y	C CAPACITOR	4.7pF 50V K	
C121	QCBB1HK-331Y	C CAPACITOR	330pF 50V K	
C201	QDGB1HK-821Y	C CAPACITOR	820pF 50V K	
C202	QDYB1CM-103Y	C CAPACITOR	0.01uF 16V M	
C203	QFLA1HJ-104Z	M CAPACITOR	0.1uF 50V J	
C204	QCBB1HK-221Y	C CAPACITOR	220pF 50V K	
C205	QCBB1HK-391Y	C CAPACITOR	390pF 50V K	
C206	QERF1HM-225Z	E CAPACITOR	2.2uF 50V M	
C207	QCBB1HK-271Y	C CAPACITOR	270pF 50V K	
C209	QEKJ1EM-475Z	E CAPACITOR	4.7uF 25V M	
C210	QDYB1CM-682Y	C CAPACITOR	6800pF 16V M	
C213	QFLA1HJ-104Z	M CAPACITOR	0.1uF 50V J	
C220	QCSB1HK-4R7Y	C CAPACITOR	4.7pF 50V K	
C221	QCBB1HK-331Y	C CAPACITOR	330pF 50V K	
C300	QEKJ1HM-105Z	E CAPACITOR	1uF 50V M	
C301	QEKJ1AM-107Z	E CAPACITOR	100uF 10V M	
C304	QEKJ1CM-106Z	E CAPACITOR	10uF 16V M	
C306	FQETJ1AM-227Z	E CAPACITOR		
C307	QDGB1HK-102Y	C CAPACITOR	1000pF 50V K	
C308	QDXB1CM-152Y	C CAPACITOR	1500pF 16V M	
C310	QCBB1HK-223Y	C CAPACITOR	0.022uF 50V K	
C313	QEKJ1AM-107Z	E CAPACITOR	100uF 10V M	
C314	QCFB1HZ-105Y	C CAPACITOR	1uF 50V Z	
C316	QFG32AJ-223Z	PP CAPACITOR	0.022uF 100V J	
C319	QFLC1HJ-472Z	M CAPACITOR	4700pF 50V J	
C331	QEKJ1CM-476Z	E CAPACITOR	47uF 16V M	

△ Symbol No.	Part No.	Part Name	Description	Local
C340	QEKJ1CM-476Z	E CAPACITOR	47uF 16V M	
C341	QEKJ1HM-105Z	E CAPACITOR	1uF 50V M	
C342	QEKJ1CM-476Z	E CAPACITOR	47uF 16V M	
C371	QEKJ1EM-475Z	E CAPACITOR	4.7uF 25V M	
C374	QEKJ1AM-107Z	E CAPACITOR	100uF 10V M	
C376	QDYB1CM-103Y	C CAPACITOR	0.01uF 16V M	
R101	QRE141J-512Y	C RESISTOR	5.1kΩ 1/4W J	
R102	QRE141J-512Y	C RESISTOR	5.1kΩ 1/4W J	
R104	QRE141J-222Y	C RESISTOR	2.2kΩ 1/4W J	
R105	QRE141J-104Y	C RESISTOR	100kΩ 1/4W J	
R106	QRE141J-113Y	C RESISTOR	11kΩ 1/4W J	
R107	QRE141J-912Y	C RESISTOR	9.1kΩ 1/4W J	
R108	QRE141J-273Y	C RESISTOR	27kΩ 1/4W J	
R110	QRE141J-103Y	C RESISTOR	10kΩ 1/4W J	
R116	QRE141J-102Y	C RESISTOR	1kΩ 1/4W J	
R121	QRE141J-153Y	C RESISTOR	15kΩ 1/4W J	
R201	QRE141J-512Y	C RESISTOR	5.1kΩ 1/4W J	
R202	QRE141J-512Y	C RESISTOR	5.1kΩ 1/4W J	
R204	QRE141J-222Y	C RESISTOR	2.2kΩ 1/4W J	
R205	QRE141J-104Y	C RESISTOR	100kΩ 1/4W J	
R206	QRE141J-113Y	C RESISTOR	11kΩ 1/4W J	
R207	QRE141J-912Y	C RESISTOR	9.1kΩ 1/4W J	
R208	QRE141J-273Y	C RESISTOR	27kΩ 1/4W J	
R210	QRE141J-103Y	C RESISTOR	10kΩ 1/4W J	
R216	QRE141J-102Y	C RESISTOR	1kΩ 1/4W J	
R221	QRE141J-153Y	C RESISTOR	15kΩ 1/4W J	
R301	QRE141J-221Y	C RESISTOR	220Ω 1/4W J	
R302	QRE141J-222Y	C RESISTOR	2.2kΩ 1/4W J	
R303	QRE141J-222Y	C RESISTOR	2.2kΩ 1/4W J	
△ R304	QRJ146J-101X	UNF C RESISTOR	100Ω 1/4W J	
R305	QRE141J-103Y	C RESISTOR	10kΩ 1/4W J	
R306	QRE141J-472Y	C RESISTOR	4.7kΩ 1/4W J	
△ R310	QRJ146J-4R7X	UNF C RESISTOR	4.7Ω 1/4W J	
R313	QRE141J-2R2Y	C RESISTOR	2.2Ω 1/4W J	
R314	QRE141J-153Y	C RESISTOR	15kΩ 1/4W J	
R315	QRE141J-101Y	C RESISTOR	100Ω 1/4W J	
R327	QRE141J-474Y	C RESISTOR	470kΩ 1/4W J	
R335	QRE141J-222Y	C RESISTOR	2.2kΩ 1/4W J	
R336	QRE141J-223Y	C RESISTOR	22kΩ 1/4W J	
R337	QRE141J-332Y	C RESISTOR	3.3kΩ 1/4W J	
R338	QRE141J-392Y	C RESISTOR	3.9kΩ 1/4W J	
R339	QRE141J-104Y	C RESISTOR	100kΩ 1/4W J	
R340	QRE141J-681Y	C RESISTOR	680Ω 1/4W J	
R341	QRE141J-123Y	C RESISTOR	12kΩ 1/4W J	
R342	QRE141J-243Y	C RESISTOR	24kΩ 1/4W J	
R343	QRE141J-183Y	C RESISTOR	18kΩ 1/4W J	
R344	QRE141J-472Y	C RESISTOR	4.7kΩ 1/4W J	
R345	QRE141J-472Y	C RESISTOR	4.7kΩ 1/4W J	
R346	QRE141J-472Y	C RESISTOR	4.7kΩ 1/4W J	
R347	QRE141J-103Y	C RESISTOR	10kΩ 1/4W J	
△ R353	QRZ9005-100X	FUSI RESISTOR	10Ω	
R372	QRE141J-102Y	C RESISTOR	1kΩ 1/4W J	
R375	QRE141J-151Y	C RESISTOR	150Ω 1/4W J	
R376	QRE141J-472Y	C RESISTOR	4.7kΩ 1/4W J	
VR31	QVP0008-203Z	TRIM RESISTOR	20kΩ	
L301	QQR1118-002	OSC COIL(BIAS)		
L303	QQL244K-100Z	COIL	10uH K	
CN31	QGF1205F1-06	CONNECTOR	FFC/FPC (1-6)	
CN32	QGF1205F1-09	CONNECTOR	FFC/FPC (1-9)	
CN33	QGF1205F1-09	CONNECTOR	FFC/FPC (1-9)	
CN34	QGF1201F3-10	CONNECTOR	FFC/FPC (1-10)	
H32	GV40397-002A	IC HOLDER		

Packing materials and accessories parts list

Block No. M 3 M M



Packing and accessories

Block No. [M][3][M][M]

△ Symbol No.	Part No.	Part Name	Description	Local
A 1	GVT0124-002A	INST BOOK	ENG,FRE	GX7C
A 1	GVT0124-001A	INST BOOK	ENG	GX7J
A 2	GV40511-001A	NOTICE SHEET		
A 3	GV40510-001B	CAUTION SHEET		
A 4	BT-51028-2	REGISTER CARD		GX7J
A 5	YU20333	SAFETY INST.		
A 6	QAL0014-001	AM LOOP ANT		
A 7	QAL0457-001	ANT.WIRE		
A 8	RM-SHXGX7J	REMOCON		
A 9	-----	BATTERY	(x2)	
A 10	BT-52006-2	WARRANTY CARD		GX7C
A 11	HXGX7J-SPBOX-R	SPEAKER BOX		
A 12	HXGX7J-SPBOX-L	SPEAKER BOX		
P 1	GV20280-002A	CARTON ASSY.		GX7C
P 1	GV20280-001A	CARTON ASSY.		GX7J
P 2	GV10212-001A	CUSHION TOP		
P 3	GV10213-001A	CUSHION BOTTOM		
P 4	QPC07007030P	POLY BAG	70cm x 70cm	
P 5	GV40168-010A	SHEET	(x2)	
P 6	GV30209-004A	CUSHION SPACER		
P 7	QPC02503515P	POLY BAG	25cm x 35cm	
P 8	720-XGD7B0-00	POLYFOAM BTM		
P 9	720-XGD7T0-00	POLYFOAM TOP		
P 10	700-120076-10	POLY BAG	(x2)	
P 11	715-250054-00	MIRAMAT SHEET	(x2)	